



TV-SA2157 SHR

SERVICE MANUAL

COLOR TELEVISION

- Replace this Service manual with "Revision Publishing" when it is issued.

aiwa
S/M Code No. 09-005-434-9T1

SIMPLE

DATA

PARTS LIST

! = Δ SAFTY PARTS
 C = Components marked

All components used on this model at the production line are shown in this service manual.

However, please note that not all components will be available as spare parts for after-sales service.

Components marked S and O are designated as spare parts for service and will be stocked at the spare parts centers.

Components marked X and R are not designated as spare parts for after sales service, and will not be stocked at the spare parts centers.

K NO. = Only use japanese.

! C	UNIT NAME	REF NO.	PARTS CODE	K NO.	DESCRIPTION	SUFFIX	MODEL NAME
	O ACC		86-LB3-610-010	1F	ANT ASSY,TV 5 SEC.(PAL)	SHRJ1M	TV-SA2157
	X ACC		87-B30-274-010	0E	BAT,R6P ATC	SHRJ1M	TV-SA2157
	O ACC		8A-JBB-950-010	--	RC UNIT,AVT-05	SHRJ1M	TV-SA2157
!	O APPEAR		87-054-086-010	1A	BADGE,AIWA 52.5 ABS GLD	SHRJ1M	TV-SA2157
	O APPEAR		8A-JBC-003-010	--	PANEL,MAIN SA2157 SH	SHRJ1M	TV-SA2157
	O APPEAR		8Z-JB4-001-010	2	CABI,FR	SHRJ1M	TV-SA2157
	O APPEAR		8Z-JB5-007-010	0E	BTN,POWER SH	SHRJ1M	TV-SA2157
	O APPEAR		8Z-JB5-010-010	1	PANEL,REAR SH	SHRJ1M	TV-SA2157
	O APPEAR		8Z-JBR-004-010	1A	KEY,MAIN	SHRJ1M	TV-SA2157
	O APPEAR		8Z-JBR-005-010	0E	LENS,RC	SHRJ1M	TV-SA2157
	O APPEAR		8Z-JBR-006-010	0E	LENS,LED	SHRJ1M	TV-SA2157
	O APPEAR		8Z-JBS-002-110	2Y	CABI,REAR 2	SHRJ1M	TV-SA2157
	O AUDIO		87-067-579-010	0E	BVT2+3-8 W/O SLOT	SHRJ1M	TV-SA2157
	O AUDIO	C 0401	87-010-402-080	0E	CAP,E 2.2-50 M 11L SME	SHRJ1M	TV-SA2157
	O AUDIO	C 0402	87-010-260-080	0E	CAP,E 47-25 M 11L SME	SHRJ1M	TV-SA2157
	O AUDIO	C 0403	87-018-134-080	0E	CAP,TC U 0.01-16 N Y UP050	SHRJ1M	TV-SA2157
	X AUDIO	C 0404	88-700-810-810	0E	CAP,M 0.01-50 J AMZV	SHRJ1M	TV-SA2157
	O AUDIO	C 0405	87-010-402-080	0E	CAP,E 2.2-50 M 11L SME	SHRJ1M	TV-SA2157
	O AUDIO	C 0406	87-010-405-080	0E	CAP,E 10-50 M 11L SME	SHRJ1M	TV-SA2157
	O AUDIO	C 0407	87-A11-148-080	0E	CAP,TC U 0.1-50 Z F	SHRJ1M	TV-SA2157
	O AUDIO	C 0408	87-010-367-080	0E	CAP,E 4.7-25 M BP SP	SHRJ1M	TV-SA2157
	X AUDIO	C 0409	88-700-700-810	0E	CAP,M 3300P-50 J AMZV	SHRJ1M	TV-SA2157
	X AUDIO	C 0410	88-700-840-810	0E	CAP,M 0.033-50 J AMZV	SHRJ1M	TV-SA2157
	O AUDIO	C 0411	87-010-367-080	0E	CAP,E 4.7-25 M BP SP	SHRJ1M	TV-SA2157
	O AUDIO	C 0412	87-010-405-080	0E	CAP,E 10-50 M 11L SME	SHRJ1M	TV-SA2157
	O AUDIO	C 0413	87-A11-148-080	0E	CAP,TC U 0.1-50 Z F	SHRJ1M	TV-SA2157
	O AUDIO	C 0414	87-010-405-080	0E	CAP,E 10-50 M 11L SME	SHRJ1M	TV-SA2157
	O AUDIO	C 0415	87-010-367-080	0E	CAP,E 4.7-25 M BP SP	SHRJ1M	TV-SA2157
	X AUDIO	C 0416	88-700-700-810	0E	CAP,M 3300P-50 J AMZV	SHRJ1M	TV-SA2157
	X AUDIO	C 0417	88-700-840-810	0E	CAP,M 0.033-50 J AMZV	SHRJ1M	TV-SA2157
	O AUDIO	C 0418	87-010-367-080	0E	CAP,E 4.7-25 M BP SP	SHRJ1M	TV-SA2157
	O AUDIO	C 0419	87-A11-148-080	0E	CAP,TC U 0.1-50 Z F	SHRJ1M	TV-SA2157
	O AUDIO	C 0420	87-010-260-080	0E	CAP,E 47-25 M 11L SME	SHRJ1M	TV-SA2157
	O AUDIO	C 0421	87-010-260-080	0E	CAP,E 47-25 M 11L SME	SHRJ1M	TV-SA2157
	O AUDIO	C 0422	87-018-134-080	0E	CAP,TC U 0.01-16 N Y UP050	SHRJ1M	TV-SA2157
	X AUDIO	C 0423	88-700-830-810	0E	CAP,M 0.022-50 J AMZV	SHRJ1M	TV-SA2157
	X AUDIO	C 0424	88-707-949-810	1A	CAP,M 0.47-50 J TF	SHRJ1M	TV-SA2157
	X AUDIO	C 0425	88-700-840-810	0E	CAP,M 0.033-50 J AMZV	SHRJ1M	TV-SA2157
	O AUDIO	C 0426	87-A11-148-080	0E	CAP,TC U 0.1-50 Z F	SHRJ1M	TV-SA2157
	O AUDIO	C 0427	87-010-401-080	0E	CAP,E 1-50 M 11L SME	SHRJ1M	TV-SA2157
	O AUDIO	C 0428	87-018-134-080	0E	CAP,TC U 0.01-16 N Y UP050	SHRJ1M	TV-SA2157
	O AUDIO	C 0429	87-010-263-080	0E	CAP,E 100-10 M 11L SME	SHRJ1M	TV-SA2157
	X AUDIO	C 0430	88-700-830-810	0E	CAP,M 0.022-50 J AMZV	SHRJ1M	TV-SA2157
	X AUDIO	C 0431	88-707-949-810	1A	CAP,M 0.47-50 J TF	SHRJ1M	TV-SA2157
	X AUDIO	C 0432	88-700-840-810	0E	CAP,M 0.033-50 J AMZV	SHRJ1M	TV-SA2157
	O AUDIO	C 0433	87-A11-148-080	0E	CAP,TC U 0.1-50 Z F	SHRJ1M	TV-SA2157
	O AUDIO	C 0434	87-A11-148-080	0E	CAP,TC U 0.1-50 Z F	SHRJ1M	TV-SA2157
	O AUDIO	C 0435	87-010-260-080	0E	CAP,E 47-25 M 11L SME	SHRJ1M	TV-SA2157
	O AUDIO	C 0436	87-018-119-080	0E	CAP,TC U 100P-50 K B UP050	SHRJ1M	TV-SA2157
	O AUDIO	C 0437	87-018-119-080	0E	CAP,TC U 100P-50 K B UP050	SHRJ1M	TV-SA2157
	O AUDIO	C 0438	87-010-367-080	0E	CAP,E 4.7-25 M BP SP	SHRJ1M	TV-SA2157
	X AUDIO	C 0441	88-700-880-810	0E	CAP,M 0.018-50 J AMZV	SHRJ1M	TV-SA2157
	X AUDIO	C 0443	88-700-880-810	0E	CAP,M 0.018-50 J AMZV	SHRJ1M	TV-SA2157
	O AUDIO	C 0445	87-010-367-080	0E	CAP,E 4.7-25 M BP SP	SHRJ1M	TV-SA2157
	O AUDIO	C 0446	87-010-101-080	0E	CAP,E 220-16 M SME	SHRJ1M	TV-SA2157
	O AUDIO	C 0447	87-A11-148-080	0E	CAP,TC U 0.1-50 Z F	SHRJ1M	TV-SA2157
	O AUDIO	C 0467	87-010-367-080	0E	CAP,E 4.7-25 M BP SP	SHRJ1M	TV-SA2157
	X AUDIO	C 0468	88-700-850-810	0E	CAP,M 0.047-50 J AMZV	SHRJ1M	TV-SA2157
	X AUDIO	C 0469	88-700-740-810	0E	CAP,M 6800P-50 J AMZV	SHRJ1M	TV-SA2157
	O AUDIO	C 0470	87-010-112-080	0E	CAP,E 100-16 M 11L SME	SHRJ1M	TV-SA2157
	O AUDIO	C 0471	87-A11-148-080	0E	CAP,TC U 0.1-50 Z F	SHRJ1M	TV-SA2157
	O AUDIO	C 0472	87-010-367-080	0E	CAP,E 4.7-25 M BP SP	SHRJ1M	TV-SA2157
	X AUDIO	C 0473	88-700-850-810	0E	CAP,M 0.047-50 J AMZV	SHRJ1M	TV-SA2157
	X AUDIO	C 0474	88-700-740-810	0E	CAP,M 6800P-50 J AMZV	SHRJ1M	TV-SA2157
	O AUDIO	C 0475	87-010-379-080	0E	CAP,E 22-16 M 11L SME	SHRJ1M	TV-SA2157
	O AUDIO	C 0476	87-010-404-080	0E	CAP,E 4.7-50 M 11L SME	SHRJ1M	TV-SA2157
	O AUDIO	C 0477	87-010-404-080	0E	CAP,E 4.7-50 M 11L SME	SHRJ1M	TV-SA2157
	O AUDIO	C 0478	87-010-405-080	0E	CAP,E 10-50 M 11L SME	SHRJ1M	TV-SA2157
	O AUDIO	C 0479	87-010-247-080	0E	CAP,E 100-50 M SME	SHRJ1M	TV-SA2157
	O AUDIO	C 0480	87-010-388-080	1A	CAP,E 1000-25 M SME	SHRJ1M	TV-SA2157

PARTS LIST

! = Δ SAFTY PARTS
 C = Components marked

All components used on this model at the production line are shown in this service manual.

However, please note that not all components will be available as spare parts for after-sales service.

Components marked S and O are designated as spare parts for service and will be stocked at the spare parts centers.

Components marked X and R are not designated as spare parts for after sales service, and will not be stocked at the spare parts centers.

K NO. = Only use Japanese.

! C	UNIT NAME	REF NO.	PARTS CODE	K NO.	DESCRIPTION	SUFFIX	MODEL NAME	
O	AUDIO	C	0481	87-010-388-080	1A	CAP,E 1000-25 M SME	SHRJ1M	TV-SA2157
O	AUDIO	C	0482	87-010-405-080	0E	CAP,E 10-50 M 11L SME	SHRJ1M	TV-SA2157
O	AUDIO	C	0483	87-010-247-080	0E	CAP,E 100-50 M SME	SHRJ1M	TV-SA2157
O	AUDIO	C	0484	87-A11-148-080	0E	CAP,TC U 0.1-50 Z F	SHRJ1M	TV-SA2157
O	AUDIO	C	0493	87-010-112-080	0E	CAP,E 100-16 M 11L SME	SHRJ1M	TV-SA2157
X	AUDIO	C	0494	88-707-939-810	0E	CAP,M 0.22-50 J TF	SHRJ1M	TV-SA2157
X	AUDIO	C	0495	88-707-939-810	0E	CAP,M 0.22-50 J TF	SHRJ1M	TV-SA2157
O	AUDIO	C	0498	87-010-402-080	0E	CAP,E 2.2-50 M 11L SME	SHRJ1M	TV-SA2157
!	O AUDIO	CN	0401	87-009-034-010	0E	CONN,6P V WHT PH	SHRJ1M	TV-SA2157
!	O AUDIO	CN	0402	87-009-038-010	0E	CONN,10P V WHT PH	SHRJ1M	TV-SA2157
!	O AUDIO	CN	0403	87-099-408-010	0E	CONN,8P V WHT EH	SHRJ1M	TV-SA2157
!	O AUDIO	CN	0404	87-009-195-010	0E	CONN,5P V WHT EH	SHRJ1M	TV-SA2157
S	AUDIO	D	0401	87-070-345-080	0E	DIODE,1N4148	SHRJ1M	TV-SA2157
S	AUDIO	D	0402	87-070-345-080	0E	DIODE,1N4148	SHRJ1M	TV-SA2157
S	AUDIO	D	0406	87-070-345-080	0E	DIODE,1N4148	SHRJ1M	TV-SA2157
S	AUDIO	D	0407	87-070-345-080	0E	DIODE,1N4148	SHRJ1M	TV-SA2157
O	AUDIO	FR	0996	87-A00-084-090	0E	RES,FUSE 1-1W J	SHRJ1M	TV-SA2157
O	AUDIO	FR	0997	87-A00-084-090	0E	RES,FUSE 1-1W J	SHRJ1M	TV-SA2157
X	AUDIO	HT	0401	8Z-JB4-641-110	1B	HT-SINK,IAW75L70 (F7)	SHRJ1M	TV-SA2157
S	AUDIO	IC	0401	87-A21-259-010	1E	IC,MM1454XD	SHRJ1M	TV-SA2157
S	AUDIO	IC	0402	87-A21-345-010	1E	IC,NJM2150	SHRJ1M	TV-SA2157
S	AUDIO	IC	0403	87-A20-312-010	1E	IC,M62420SP	SHRJ1M	TV-SA2157
S	AUDIO	IC	0404	87-A21-299-010	0E	IC,LA6458SLL	SHRJ1M	TV-SA2157
S	AUDIO	IC	0409	87-A21-169-010	1C	IC,MM1124B	SHRJ1M	TV-SA2157
S	AUDIO	IC	0410	87-A21-283-010	1C	IC,AN5277	SHRJ1M	TV-SA2157
S	AUDIO	Q	0401	87-A30-065-080	0E	TR,2SC2785FE	SHRJ1M	TV-SA2157
S	AUDIO	Q	0402	87-A30-065-080	0E	TR,2SC2785FE	SHRJ1M	TV-SA2157
S	AUDIO	Q	0404	87-A30-121-080	0E	TR,DTC323TS	SHRJ1M	TV-SA2157
S	AUDIO	Q	0407	87-A30-121-080	0E	TR,DTC323TS	SHRJ1M	TV-SA2157
S	AUDIO	Q	0408	87-A30-090-080	0E	FET,2SK2541	SHRJ1M	TV-SA2157
S	AUDIO	Q	0409	87-A30-090-080	0E	FET,2SK2541	SHRJ1M	TV-SA2157
S	AUDIO	Q	0414	87-A30-066-080	0E	TR,2SA1175FE	SHRJ1M	TV-SA2157
O	AUDIO	R	0401	87-025-381-080	0E	RES,M/F 18K-1/6W F	SHRJ1M	TV-SA2157
O	AUDIO	R	0402	87-025-424-080	0E	RES,M/F 10K-1/6W F	SHRJ1M	TV-SA2157
X	AUDIO	R	0403	88-121-152-080	0E	RES,1.5K-1/8W J	SHRJ1M	TV-SA2157
O	AUDIO	R	0404	87-025-380-080	0E	RES,M/F 15K-1/6W F	SHRJ1M	TV-SA2157
O	AUDIO	R	0405	87-025-381-080	0E	RES,M/F 18K-1/6W F	SHRJ1M	TV-SA2157
X	AUDIO	R	0406	88-121-102-080	0E	RES,1K-1/8W J	SHRJ1M	TV-SA2157
X	AUDIO	R	0407	88-121-223-080	0E	RES,22K-1/8W J	SHRJ1M	TV-SA2157
X	AUDIO	R	0408	88-121-203-080	0E	RES,20K-1/8W J	SHRJ1M	TV-SA2157
X	AUDIO	R	0409	88-121-203-080	0E	RES,20K-1/8W J	SHRJ1M	TV-SA2157
X	AUDIO	R	0410	88-121-203-080	0E	RES,20K-1/8W J	SHRJ1M	TV-SA2157
X	AUDIO	R	0411	88-121-203-080	0E	RES,20K-1/8W J	SHRJ1M	TV-SA2157
X	AUDIO	R	0412	88-121-104-080	0E	RES,100K-1/8W J	SHRJ1M	TV-SA2157
X	AUDIO	R	0413	88-121-104-080	0E	RES,100K-1/8W J	SHRJ1M	TV-SA2157
X	AUDIO	R	0414	88-121-331-080	0E	RES,330-1/8W J	SHRJ1M	TV-SA2157
X	AUDIO	R	0415	88-121-331-080	0E	RES,330-1/8W J	SHRJ1M	TV-SA2157
X	AUDIO	R	0416	88-121-104-080	0E	RES,100K-1/8W J	SHRJ1M	TV-SA2157
X	AUDIO	R	0417	88-121-473-080	0E	RES,47K-1/8W J	SHRJ1M	TV-SA2157
X	AUDIO	R	0418	88-121-123-080	0E	RES,12K-1/8W J	SHRJ1M	TV-SA2157
X	AUDIO	R	0419	88-121-182-080	0E	RES,1.8K-1/8W J	SHRJ1M	TV-SA2157
X	AUDIO	R	0420	88-121-103-080	0E	RES,10K-1/8W J	SHRJ1M	TV-SA2157
X	AUDIO	R	0421	88-121-222-080	0E	RES,2.2K-1/8W J	SHRJ1M	TV-SA2157
X	AUDIO	R	0422	88-121-222-080	0E	RES,2.2K-1/8W J	SHRJ1M	TV-SA2157
X	AUDIO	R	0423	88-121-182-080	0E	RES,1.8K-1/8W J	SHRJ1M	TV-SA2157
X	AUDIO	R	0424	88-121-331-080	0E	RES,330-1/8W J	SHRJ1M	TV-SA2157
X	AUDIO	R	0425	88-121-331-080	0E	RES,330-1/8W J	SHRJ1M	TV-SA2157
X	AUDIO	R	0426	88-121-103-080	0E	RES,10K-1/8W J	SHRJ1M	TV-SA2157
X	AUDIO	R	0427	88-121-103-080	0E	RES,10K-1/8W J	SHRJ1M	TV-SA2157
X	AUDIO	R	0431	88-121-392-080	0E	RES,3.9K-1/8W J	SHRJ1M	TV-SA2157
X	AUDIO	R	0432	88-121-332-080	0E	RES,3.3K-1/8W J	SHRJ1M	TV-SA2157
X	AUDIO	R	0433	88-121-822-080	0E	RES,8.2K-1/8W J	SHRJ1M	TV-SA2157
X	AUDIO	R	0434	88-100-000-010	0E	PLATING-JW, 0.58 SN95	SHRJ1M	TV-SA2157
X	AUDIO	R	0435	88-100-000-010	0E	PLATING-JW, 0.58 SN95	SHRJ1M	TV-SA2157
X	AUDIO	R	0436	88-121-822-080	0E	RES,8.2K-1/8W J	SHRJ1M	TV-SA2157
X	AUDIO	R	0437	88-121-332-080	0E	RES,3.3K-1/8W J	SHRJ1M	TV-SA2157
X	AUDIO	R	0439	88-121-392-080	0E	RES,3.9K-1/8W J	SHRJ1M	TV-SA2157
X	AUDIO	R	0442	88-121-102-080	0E	RES,1K-1/8W J	SHRJ1M	TV-SA2157
X	AUDIO	R	0443	88-121-102-080	0E	RES,1K-1/8W J	SHRJ1M	TV-SA2157
X	AUDIO	R	0467	88-121-513-080	0E	RES,51K-1/8W J	SHRJ1M	TV-SA2157

PARTS LIST

! = Δ SAFTY PARTS
 C = Components marked

All components used on this model at the production line are shown in this service manual.

However, please note that not all components will be available as spare parts for after-sales service.

Components marked S and O are designated as spare parts for service and will be stocked at the spare parts centers.

Components marked X and R are not designated as spare parts for after sales service, and will not be stocked at the spare parts centers.

K NO. = Only use japanese.

! C	UNIT NAME	REF NO.	PARTS CODE	K NO.	DESCRIPTION	SUFFIX	MODEL NAME
X	AUDIO	R 0468	88-121-513-080	0E	RES,51K-1/8W J	SHRJ1M	TV-SA2157
X	AUDIO	R 0469	88-121-103-080	0E	RES,10K-1/8W J	SHRJ1M	TV-SA2157
X	AUDIO	R 0470	88-121-103-080	0E	RES,10K-1/8W J	SHRJ1M	TV-SA2157
X	AUDIO	R 0471	88-121-103-080	0E	RES,10K-1/8W J	SHRJ1M	TV-SA2157
X	AUDIO	R 0472	88-121-513-080	0E	RES,51K-1/8W J	SHRJ1M	TV-SA2157
X	AUDIO	R 0473	88-121-513-080	0E	RES,51K-1/8W J	SHRJ1M	TV-SA2157
X	AUDIO	R 0474	88-121-103-080	0E	RES,10K-1/8W J	SHRJ1M	TV-SA2157
X	AUDIO	R 0475	88-121-103-080	0E	RES,10K-1/8W J	SHRJ1M	TV-SA2157
X	AUDIO	R 0476	88-121-472-080	0E	RES,4.7K-1/8W J	SHRJ1M	TV-SA2157
X	AUDIO	R 0477	88-121-472-080	0E	RES,4.7K-1/8W J	SHRJ1M	TV-SA2157
X	AUDIO	R 0478	88-121-681-080	0E	RES,680-1/8W J	SHRJ1M	TV-SA2157
X	AUDIO	R 0479	88-121-103-080	0E	RES,10K-1/8W J	SHRJ1M	TV-SA2157
X	AUDIO	R 0481	88-121-104-080	0E	RES,100K-1/8W J	SHRJ1M	TV-SA2157
X	AUDIO	R 0482	88-121-681-080	0E	RES,680-1/8W J	SHRJ1M	TV-SA2157
X	AUDIO	R 0483	88-121-103-080	0E	RES,10K-1/8W J	SHRJ1M	TV-SA2157
X	AUDIO	R 0484	88-121-563-080	0E	RES,56K-1/8W J	SHRJ1M	TV-SA2157
X	AUDIO	R 0485	88-121-103-080	0E	RES,10K-1/8W J	SHRJ1M	TV-SA2157
X	AUDIO	R 0486	88-121-104-080	0E	RES,100K-1/8W J	SHRJ1M	TV-SA2157
X	AUDIO	R 0498	88-121-103-080	0E	RES,10K-1/8W J	SHRJ1M	TV-SA2157
X	AUDIO	R 0499	88-121-103-080	0E	RES,10K-1/8W J	SHRJ1M	TV-SA2157
X	AUDIO	R 0985	88-121-122-080	0E	RES,1.2K-1/8W J	SHRJ1M	TV-SA2157
X	AUDIO	R 0986	88-121-122-080	0E	RES,1.2K-1/8W J	SHRJ1M	TV-SA2157
X	AUDIO	R 0987	88-100-000-010	0E	PLATING-JW, 0.58 SN95	SHRJ1M	TV-SA2157
X	AUDIO	R 0989	88-100-000-010	0E	PLATING-JW, 0.58 SN95	SHRJ1M	TV-SA2157
X	AUDIO	R 0996	88-121-222-080	0E	RES,2.2K-1/8W J	SHRJ1M	TV-SA2157
X	AUDIO	R 0998	88-100-000-010	0E	PLATING-JW, 0.58 SN95	SHRJ1M	TV-SA2157
X	AUDIO	R 0999	88-121-102-080	0E	RES,1K-1/8W J	SHRJ1M	TV-SA2157
O	AUDIO II	C 0901	87-010-405-080	0E	CAP,E 10-50 M 11L SME	SHRJ1M	TV-SA2157
O	AUDIO II	C 0902	87-010-071-080	0E	CAP,E 1-50 M 5L SRE	SHRJ1M	TV-SA2157
O	AUDIO II	C 0903	87-010-071-080	0E	CAP,E 1-50 M 5L SRE	SHRJ1M	TV-SA2157
O	AUDIO II	C 0904	87-010-221-080	0E	CAP,E 470-10 M SME	SHRJ1M	TV-SA2157
O	AUDIO II	C 0905	87-010-498-080	0E	CAP,E 10-16 M 5L SRE	SHRJ1M	TV-SA2157
O	AUDIO II	C 0906	87-010-498-080	0E	CAP,E 10-16 M 5L SRE	SHRJ1M	TV-SA2157
O	AUDIO II	C 0907	87-010-405-080	0E	CAP,E 10-50 M 11L SME	SHRJ1M	TV-SA2157
O	AUDIO II	C 0908	87-010-401-080	0E	CAP,E 1-50 M 11L SME	SHRJ1M	TV-SA2157
O	AUDIO II	C 0909	87-010-401-080	0E	CAP,E 1-50 M 11L SME	SHRJ1M	TV-SA2157
O	AUDIO II	C 0910	87-010-071-080	0E	CAP,E 1-50 M 5L SRE	SHRJ1M	TV-SA2157
O	AUDIO II	C 0911	87-010-401-080	0E	CAP,E 1-50 M 11L SME	SHRJ1M	TV-SA2157
O	AUDIO II	C 0912	87-010-260-080	0E	CAP,E 47-25 M 11L SME	SHRJ1M	TV-SA2157
O	AUDIO II	C 0913	87-018-134-080	0E	CAP,TC U 0.01-16 N Y UP050	SHRJ1M	TV-SA2157
O	AUDIO II	C 0914	87-018-134-080	0E	CAP,TC U 0.01-16 N Y UP050	SHRJ1M	TV-SA2157
O	AUDIO II	C 0915	87-018-133-080	0E	CAP,TC U 4700P-16 N X UP050	SHRJ1M	TV-SA2157
O	AUDIO II	C 0916	87-018-133-080	0E	CAP,TC U 4700P-16 N X UP050	SHRJ1M	TV-SA2157
O	AUDIO II	CN 0901	87-049-469-010	0E	CONN,4P V WHT EH	SHRJ1M	TV-SA2157
O	AUDIO II	CNA0901	8Z-JB9-662-010	1A	CONN ASSY,6P V AU L/R 300	SHRJ1M	TV-SA2157
O	AUDIO II	CNA0902	8Z-JB4-660-010	1A	CONN ASSY,5P 401-401 AUDIO	SHRJ1M	TV-SA2157
O	AUDIO II	CNA0903	8Z-JB9-661-010	1B	CONN ASSY,10P MAIN-AUDIO	SHRJ1M	TV-SA2157
S	AUDIO II	D 0903	87-070-345-080	0E	DIODE,1N4148	SHRJ1M	TV-SA2157
S	AUDIO II	IC 0901	87-027-666-010	1B	IC,TC4052BP	SHRJ1M	TV-SA2157
S	AUDIO II	IC 0902	87-027-666-010	1B	IC,TC4052BP	SHRJ1M	TV-SA2157
O	AUDIO II	J 0901	87-A60-324-110	1B	JACK,PIN 6P Y-W-R W/SW	SHRJ1M	TV-SA2157
O	AUDIO II	J 0902	87-A61-435-010	1B	JACK,PIN 3P WHT YKC21-5734 A	SHRJ1M	TV-SA2157
O	AUDIO II	J 0903	87-A60-858-010	1D	JACK,3.5 BLK ST 2 SW	SHRJ1M	TV-SA2157
S	AUDIO II	Q 0901	89-110-155-080	0E	TR,2SA1015GR	SHRJ1M	TV-SA2157
S	AUDIO II	Q 0902	87-A30-065-080	0E	TR,2SC2785FE	SHRJ1M	TV-SA2157
S	AUDIO II	Q 0903	87-A30-065-080	0E	TR,2SC2785FE	SHRJ1M	TV-SA2157
S	AUDIO II	Q 0904	87-A30-121-080	0E	TR,DTC323TS	SHRJ1M	TV-SA2157
S	AUDIO II	Q 0905	87-A30-121-080	0E	TR,DTC323TS	SHRJ1M	TV-SA2157
S	AUDIO II	Q 0906	87-A30-121-080	0E	TR,DTC323TS	SHRJ1M	TV-SA2157
S	AUDIO II	Q 0908	87-A30-065-080	0E	TR,2SC2785FE	SHRJ1M	TV-SA2157
S	AUDIO II	Q 0909	87-A30-065-080	0E	TR,2SC2785FE	SHRJ1M	TV-SA2157
S	AUDIO II	Q 0910	87-A30-065-080	0E	TR,2SC2785FE	SHRJ1M	TV-SA2157
S	AUDIO II	Q 0911	87-A30-066-080	0E	TR,2SA1175FE	SHRJ1M	TV-SA2157
S	AUDIO II	Q 0912	87-A30-066-080	0E	TR,2SA1175FE	SHRJ1M	TV-SA2157
X	AUDIO II	R 0901	88-121-750-080	0E	RES,75-1/8W J	SHRJ1M	TV-SA2157
X	AUDIO II	R 0902	88-121-473-080	0E	RES,47K-1/8W J	SHRJ1M	TV-SA2157
X	AUDIO II	R 0903	88-121-473-080	0E	RES,47K-1/8W J	SHRJ1M	TV-SA2157
X	AUDIO II	R 0904	88-121-750-080	0E	RES,75-1/8W J	SHRJ1M	TV-SA2157
X	AUDIO II	R 0905	88-121-102-080	0E	RES,1K-1/8W J	SHRJ1M	TV-SA2157
X	AUDIO II	R 0906	88-121-102-080	0E	RES,1K-1/8W J	SHRJ1M	TV-SA2157

PARTS LIST

! = Δ SAFTY PARTS
 C = Components marked

All components used on this model at the production line are shown in this service manual.

However, please note that not all components will be available as spare parts for after-sales service.

Components marked S and O are designated as spare parts for service and will be stocked at the spare parts centers.

Components marked X and R are not designated as spare parts for after sales service, and will not be stocked at the spare parts centers.

K NO. = Only use Japanese.

! C	UNIT NAME	REF NO.	PARTS CODE	K NO.	DESCRIPTION	SUFFIX	MODEL NAME	
X	AUDIO II	R	0907	88-121-104-080	0E	RES,100K-1/8W J	SHRJ1M	TV-SA2157
X	AUDIO II	R	0908	88-121-102-080	0E	RES,1K-1/8W J	SHRJ1M	TV-SA2157
X	AUDIO II	R	0909	88-121-104-080	0E	RES,100K-1/8W J	SHRJ1M	TV-SA2157
X	AUDIO II	R	0910	88-121-152-080	0E	RES,1.5K-1/8W J	SHRJ1M	TV-SA2157
X	AUDIO II	R	0911	88-121-152-080	0E	RES,1.5K-1/8W J	SHRJ1M	TV-SA2157
X	AUDIO II	R	0912	88-121-391-080	0E	RES,390-1/8W J	SHRJ1M	TV-SA2157
X	AUDIO II	R	0913	88-121-750-080	0E	RES,75-1/8W J	SHRJ1M	TV-SA2157
X	AUDIO II	R	0914	88-121-473-080	0E	RES,47K-1/8W J	SHRJ1M	TV-SA2157
X	AUDIO II	R	0915	88-121-473-080	0E	RES,47K-1/8W J	SHRJ1M	TV-SA2157
X	AUDIO II	R	0920	88-121-333-080	0E	RES,33K-1/8W J	SHRJ1M	TV-SA2157
X	AUDIO II	R	0921	88-121-473-080	0E	RES,47K-1/8W J	SHRJ1M	TV-SA2157
X	AUDIO II	R	0922	88-121-222-080	0E	RES,2.2K-1/8W J	SHRJ1M	TV-SA2157
X	AUDIO II	R	0923	88-121-333-080	0E	RES,33K-1/8W J	SHRJ1M	TV-SA2157
X	AUDIO II	R	0924	88-121-473-080	0E	RES,47K-1/8W J	SHRJ1M	TV-SA2157
X	AUDIO II	R	0925	88-121-222-080	0E	RES,2.2K-1/8W J	SHRJ1M	TV-SA2157
X	AUDIO II	R	0926	88-121-473-080	0E	RES,47K-1/8W J	SHRJ1M	TV-SA2157
X	AUDIO II	R	0927	88-121-153-080	0E	RES,15K-1/8W J	SHRJ1M	TV-SA2157
X	AUDIO II	R	0928	88-121-152-080	0E	RES,1.5K-1/8W J	SHRJ1M	TV-SA2157
X	AUDIO II	R	0929	88-121-102-080	0E	RES,1K-1/8W J	SHRJ1M	TV-SA2157
X	AUDIO II	R	0930	88-121-301-080	0E	RES,300-1/8W J	SHRJ1M	TV-SA2157
X	AUDIO II	R	0931	88-121-471-080	0E	RES,470-1/8W J	SHRJ1M	TV-SA2157
X	AUDIO II	R	0932	88-100-000-010	0E	PLATING-JW, 0.58 SN95	SHRJ1M	TV-SA2157
O	AUDIO II	R	0936	87-A00-070-090	0E	RES,M/F 220-1W J	SHRJ1M	TV-SA2157
O	AUDIO II	R	0937	87-A00-070-090	0E	RES,M/F 220-1W J	SHRJ1M	TV-SA2157
X	AUDIO II	R	0938	88-121-103-080	0E	RES,10K-1/8W J	SHRJ1M	TV-SA2157
X	AUDIO II	R	0939	88-121-103-080	0E	RES,10K-1/8W J	SHRJ1M	TV-SA2157
X	AUDIO II	R	0941	88-121-471-080	0E	RES,470-1/8W J	SHRJ1M	TV-SA2157
X	AUDIO II	R	0942	88-121-334-080	0E	RES,330K-1/8W J	SHRJ1M	TV-SA2157
X	AUDIO II	R	0943	88-121-334-080	0E	RES,330K-1/8W J	SHRJ1M	TV-SA2157
O	CRT	V	0551	86-LB2-602-010	3B	CRT,A51KST94X01 (VM)	SHRJ1M	TV-SA2157
O	DEFLECTION			87-067-579-010	0E	BVT2+3-8 W/O SL0T	SHRJ1M	TV-SA2157
X	DEFLECTION			89-995-061-110	0E	WIRE,U24X5-6-3/3	SHRJ1M	TV-SA2157
O	DEFLECTION	C	0501	87-018-195-080	0E	CAP,TC U 1200P-16 N X UP050	SHRJ1M	TV-SA2157
O	DEFLECTION	C	0502	87-018-115-080	0E	CAP,TC U 47P-50 J SL UP050	SHRJ1M	TV-SA2157
O	DEFLECTION	C	0503	87-010-247-080	0E	CAP,E 100-50 M SME	SHRJ1M	TV-SA2157
X	DEFLECTION	C	0504	88-700-610-810	0E	CAP,M 1000P-50 J	SHRJ1M	TV-SA2157
X	DEFLECTION	C	0505	88-700-810-810	0E	CAP,M 0.01-50 J AMZV	SHRJ1M	TV-SA2157
X	DEFLECTION	C	0507	88-700-910-810	0E	CAP,M 0.1-50 J AMZV	SHRJ1M	TV-SA2157
X	DEFLECTION	C	0508	88-700-660-810	0E	CAP,M 2200P-50 J	SHRJ1M	TV-SA2157
O	DEFLECTION	C	0509	87-010-405-080	0E	CAP,E 10-50 M 11L SME	SHRJ1M	TV-SA2157
X	DEFLECTION	C	0510	88-710-009-810	1B	CAP,M 1-50 J TFL	SHRJ1M	TV-SA2157
X	DEFLECTION	C	0511	88-708-980-810	0E	CAP,M 0.056-100 J AMZV	SHRJ1M	TV-SA2157
O	DEFLECTION	C	0512	87-A10-011-090	2A	CAP,E 2200-25 SMG	SHRJ1M	TV-SA2157
O	DEFLECTION	C	0513	87-018-127-080	0E	CAP,TC U 470P-50 K B UP050	SHRJ1M	TV-SA2157
O	DEFLECTION	C	0601	87-A10-406-090	0E	CAP,CER 270P-2K K BN DE	SHRJ1M	TV-SA2157
O	DEFLECTION	C	0603	87-A12-023-080	1B	CAP,E 10-250 M SME	SHRJ1M	TV-SA2157
X	DEFLECTION	C	0604	88-708-910-810	1A	CAP,M 0.1-100 J AMZ	SHRJ1M	TV-SA2157
O	DEFLECTION	C	0606	87-016-515-080	0E	CAP,CER 1000P-1K K B DE	SHRJ1M	TV-SA2157
O	DEFLECTION	C	0607	87-010-397-090	1A	CAP,E 1000-35 M SME	SHRJ1M	TV-SA2157
O	DEFLECTION	C	0609	87-010-386-080	0E	CAP,E 330-25 M SME	SHRJ1M	TV-SA2157
O	DEFLECTION	C	0610	87-016-217-080	0E	CAP,E 4.7-160 M SME	SHRJ1M	TV-SA2157
O	DEFLECTION	C	0611	87-016-481-010	1A	CAP,M/P 0.47-200 J DHS	SHRJ1M	TV-SA2157
O	DEFLECTION	C	0612	87-016-220-090	1A	CAP,E 47-160 M TWSS	SHRJ1M	TV-SA2157
O	DEFLECTION	C	0613	87-A10-967-090	1B	CAP,M/P 5600P-1.25K H DKRG	SHRJ1M	TV-SA2157
X	DEFLECTION	C	0614	88-100-000-010	0E	PLATING-JW, 0.58 SN95	SHRJ1M	TV-SA2157
O	DEFLECTION	C	0615	87-012-406-090	1A	CAP,CER 2200P-2K K BN DE	SHRJ1M	TV-SA2157
O	DEFLECTION	C	0616	87-018-132-080	0E	CAP,TC U 2200P-16 N X UP050	SHRJ1M	TV-SA2157
!	O	C	0617	87-010-976-080	0E	CAP,CER 1000P-500 K B DD10	SHRJ1M	TV-SA2157
!	O	C	0618	87-010-974-080	0E	CAP,CER 220P-500 K B DD10	SHRJ1M	TV-SA2157
O	DEFLECTION	CN	0601	87-099-675-010	1A	CONN,5P V V	SHRJ1M	TV-SA2157
S	DEFLECTION	D	0501	87-070-092-080	0E	DIODE,S5566B	SHRJ1M	TV-SA2157
S	DEFLECTION	D	0601	87-A40-286-080	0E	DIODE, RGP10JE-5025	SHRJ1M	TV-SA2157
S	DEFLECTION	D	0602	87-A40-286-080	0E	DIODE, RGP10JE-5025	SHRJ1M	TV-SA2157
S	DEFLECTION	D	0603	87-A40-286-080	0E	DIODE, RGP10JE-5025	SHRJ1M	TV-SA2157
S	DEFLECTION	D	0605	87-A40-794-080	1A	DIODE,EGP20G	SHRJ1M	TV-SA2157
S	DEFLECTION	D	0607	87-070-345-080	0E	DIODE,1N4148	SHRJ1M	TV-SA2157
O	DEFLECTION	FB	0501	87-003-320-080	1A	F-BEAD,-9.0 FBR07HA121NB-00	SHRJ1M	TV-SA2157
O	DEFLECTION	FB	0601	87-003-320-080	1A	F-BEAD,-9.0 FBR07HA121NB-00	SHRJ1M	TV-SA2157
O	DEFLECTION	FR	0601	87-A00-063-060	0E	RES,FUSE 2.2-1/2W J R-TYPE	SHRJ1M	TV-SA2157
O	DEFLECTION	FR	0602	87-A00-057-060	0E	RES,FUSE 1.8-2W J R-TYPE	SHRJ1M	TV-SA2157

PARTS LIST

! = Δ SAFTY PARTS
 C = Components marked

All components used on this model at the production line are shown in this service manual.

However, please note that not all components will be available as spare parts for after-sales service.

Components marked S and O are designated as spare parts for service and will be stocked at the spare parts centers.

Components marked X and R are not designated as spare parts for after sales service, and will not be stocked at the spare parts centers.

K NO. = Only use japanese.

! C	UNIT NAME	REF NO.	PARTS CODE	K NO.	DESCRIPTION	SUFFIX	MODEL NAME
O	DEFLECTION	FR 0603	87-029-150-090	1A	RES,FUSE 3.9-2W J	SHRJ1M	TV-SA2157
O	DEFLECTION	FR 0604	87-A00-643-060	0E	RES,FUSE 1-2W J R-TYPE	SHRJ1M	TV-SA2157
O	DEFLECTION	FR 0606	87-A00-049-060	0E	RES,FUSE 2.2K-1/2W J R-TYPE	SHRJ1M	TV-SA2157
X	DEFLECTION	HT 0501	86-LB4-201-010	0E	HT-SINK,V-DR	SHRJ1M	TV-SA2157
X	DEFLECTION	HT 0601	84-LB3-209-110	0E	HT SINK,C	SHRJ1M	TV-SA2157
S	DEFLECTION	IC 0501	87-070-237-010	1C	IC,LA7832	SHRJ1M	TV-SA2157
O	DEFLECTION	L 0601	87-A50-040-010	1A	COIL,2.2MH	SHRJ1M	TV-SA2157
O	DEFLECTION	L 0602	8Z-JBE-606-010	1C	COIL,LINEARITYSH5L8409	SHRJ1M	TV-SA2157
S	DEFLECTION	Q 0501	87-A30-065-080	0E	TR,2SC2785FE	SHRJ1M	TV-SA2157
S	DEFLECTION	Q 0601	87-A30-366-010	1F	TR,2SD2580	SHRJ1M	TV-SA2157
S	DEFLECTION	Q 0602	89-334-674-580	1A	TR,2SC3467(D/E)	SHRJ1M	TV-SA2157
S	DEFLECTION	Q 0603	87-A30-065-080	0E	TR,2SC2785FE	SHRJ1M	TV-SA2157
X	DEFLECTION	R 0501	88-121-104-080	0E	RES,100K-1/8W J	SHRJ1M	TV-SA2157
X	DEFLECTION	R 0502	88-121-153-080	0E	RES,15K-1/8W J	SHRJ1M	TV-SA2157
X	DEFLECTION	R 0503	88-121-683-080	0E	RES,68K-1/8W J	SHRJ1M	TV-SA2157
X	DEFLECTION	R 0504	88-121-563-080	0E	RES,56K-1/8W J	SHRJ1M	TV-SA2157
X	DEFLECTION	R 0505	88-121-203-080	0E	RES,20K-1/8W J	SHRJ1M	TV-SA2157
O	DEFLECTION	R 0506	87-029-022-010	0E	RES,M/F 560-1W J MO	SHRJ1M	TV-SA2157
X	DEFLECTION	R 0507	88-121-563-080	0E	RES,56K-1/8W J	SHRJ1M	TV-SA2157
X	DEFLECTION	R 0508	88-121-563-080	0E	RES,56K-1/8W J	SHRJ1M	TV-SA2157
X	DEFLECTION	R 0509	88-121-683-080	0E	RES,68K-1/8W J	SHRJ1M	TV-SA2157
X	DEFLECTION	R 0510	88-121-222-080	0E	RES,2.2K-1/8W J	SHRJ1M	TV-SA2157
O	DEFLECTION	R 0511	87-029-022-010	0E	RES,M/F 560-1W J MO	SHRJ1M	TV-SA2157
X	DEFLECTION	R 0512	88-100-000-010	0E	PLATING-JW, 0.58 SN95	SHRJ1M	TV-SA2157
X	DEFLECTION	R 0513	88-121-272-080	0E	RES,2.7K-1/8W J	SHRJ1M	TV-SA2157
X	DEFLECTION	R 0514	88-121-472-080	0E	RES,4.7K-1/8W J	SHRJ1M	TV-SA2157
X	DEFLECTION	R 0515	88-140-189-080	0E	RES,1.8-1/2W J	SHRJ1M	TV-SA2157
X	DEFLECTION	R 0601	88-140-183-080	0E	RES,18K-1/2W J	SHRJ1M	TV-SA2157
X	DEFLECTION	R 0602	88-121-103-080	0E	RES,10K-1/8W J	SHRJ1M	TV-SA2157
X	DEFLECTION	R 0604	88-140-222-080	0E	RES,2.2K-1/2W J	SHRJ1M	TV-SA2157
O	DEFLECTION	R 0608	87-A00-721-090	1A	RES,M/F 12-7W J RSV7	SHRJ1M	TV-SA2157
X	DEFLECTION	R 0609	88-100-000-010	0E	PLATING-JW, 0.58 SN95	SHRJ1M	TV-SA2157
X	DEFLECTION	R 0610	88-121-101-080	0E	RES,100-1/8W J	SHRJ1M	TV-SA2157
X	DEFLECTION	R 0611	88-140-222-080	0E	RES,2.2K-1/2W J	SHRJ1M	TV-SA2157
O	DEFLECTION	R 0612	87-A00-225-090	1A	RES,M/F 2.2K-5W J RSV5	SHRJ1M	TV-SA2157
X	DEFLECTION	R 0613	88-121-152-080	0E	RES,1.5K-1/8W J	SHRJ1M	TV-SA2157
X	DEFLECTION	R 0616	88-121-103-080	0E	RES,10K-1/8W J	SHRJ1M	TV-SA2157
X	DEFLECTION	R 0617	88-121-152-080	0E	RES,1.5K-1/8W J	SHRJ1M	TV-SA2157
X	DEFLECTION	R 0618	88-121-222-080	0E	RES,2.2K-1/8W J	SHRJ1M	TV-SA2157
O	DEFLECTION	R 0619	87-A00-200-090	0E	RES,M/F 100-2W J RSF(S)	SHRJ1M	TV-SA2157
O	DEFLECTION	S 0501	87-A90-567-010	1A	SW,LVR 4-1-3 EVQRAAL10	SHRJ1M	TV-SA2157
!	DEFLECTION	T 0601	8Z-JBR-605-010	2B	FBT, HFT3607(SAN)21-C	SHRJ1M	TV-SA2157
!	DEFLECTION	T 0602	84-LB3-651-010	1B	TRANS,HD MS-101N	SHRJ1M	TV-SA2157
O	IS	C 0701	87-010-318-080	0E	C-CAP,S 47P-50 J CH GRM	SHRJ1M	TV-SA2157
O	IS	C 0702	87-010-318-080	0E	C-CAP,S 47P-50 J CH GRM	SHRJ1M	TV-SA2157
O	IS	C 0703	87-010-145-080	0E	C-CAP,S 1P-50 C CH GRM	SHRJ1M	TV-SA2157
O	IS	C 0704	87-010-145-080	0E	C-CAP,S 1P-50 C CH GRM	SHRJ1M	TV-SA2157
O	IS	C 0705	87-010-553-080	0E	CAP,E 47-16 M 5L SRE	SHRJ1M	TV-SA2157
O	IS	C 0706	87-010-197-080	0E	C-CAP,S 0.01-25 K B C2012	SHRJ1M	TV-SA2157
O	IS	C 0707	87-010-197-080	0E	C-CAP,S 0.01-25 K B C2012	SHRJ1M	TV-SA2157
O	IS	C 0708	87-010-496-080	0E	CAP,E 3.3-50 M 5L SRE	SHRJ1M	TV-SA2157
O	IS	C 0709	87-010-197-080	0E	C-CAP,S 0.01-25 K B C2012	SHRJ1M	TV-SA2157
O	IS	C 0710	87-010-197-080	0E	C-CAP,S 0.01-25 K B C2012	SHRJ1M	TV-SA2157
O	IS	C 0714	87-010-555-080	0E	CAP,E 100-10 M 5L MA	SHRJ1M	TV-SA2157
O	IS	C 0715	87-010-197-080	0E	C-CAP,S 0.01-25 K B C2012	SHRJ1M	TV-SA2157
O	IS	C 0716	87-010-316-080	0E	C-CAP,S 33P-50 J CH GRM	SHRJ1M	TV-SA2157
O	IS	C 0719	87-010-498-080	0E	CAP,E 10-16 M 5L SRE	SHRJ1M	TV-SA2157
O	IS	C 0720	87-012-157-080	0E	C-CAP,S 330P-50 J CH GRM	SHRJ1M	TV-SA2157
O	IS	C 0723	87-010-498-080	0E	CAP,E 10-16 M 5L SRE	SHRJ1M	TV-SA2157
O	IS	C 0724	87-010-494-080	0E	CAP,E 1-50 M 5L SRE	SHRJ1M	TV-SA2157
O	IS	C 0725	87-010-197-080	0E	C-CAP,S 0.01-25 K B C2012	SHRJ1M	TV-SA2157
O	IS	C 0726	87-010-197-080	0E	C-CAP,S 0.01-25 K B C2012	SHRJ1M	TV-SA2157
O	IS	C 0727	87-010-497-080	0E	CAP,E 4.7-35 M 5L SRE	SHRJ1M	TV-SA2157
O	IS	C 0728	87-010-197-080	0E	C-CAP,S 0.01-25 K B C2012	SHRJ1M	TV-SA2157
O	IS	C 0729	87-010-555-080	0E	CAP,E 100-10 M 5L MA	SHRJ1M	TV-SA2157
O	IS	C 0730	87-010-321-080	0E	C-CAP,S 82P-50 J CH	SHRJ1M	TV-SA2157
O	IS	C 0731	87-012-140-080	0E	C-CAP,S 470P-50 J CH	SHRJ1M	TV-SA2157
O	IS	C 0732	87-010-189-080	0E	C-CAP,S 8200P-50 K B	SHRJ1M	TV-SA2157
O	IS	C 0733	87-010-183-080	0E	C-CAP,S 2700P-50 K B GRM	SHRJ1M	TV-SA2157
O	IS	C 0734	87-012-142-080	0E	C-CAP,S 0.33-16 Z F GRM	SHRJ1M	TV-SA2157

PARTS LIST

! = Δ SAFTY PARTS
 C = Components marked

All components used on this model at the production line are shown in this service manual.

However, please note that not all components will be available as spare parts for after-sales service.

Components marked S and O are designated as spare parts for service and will be stocked at the spare parts centers.

Components marked X and R are not designated as spare parts for after sales service, and will not be stocked at the spare parts centers.

K NO. = Only use Japanese.

! C	UNIT NAME	REF NO.	PARTS CODE	K NO.	DESCRIPTION	SUFFIX	MODEL NAME
O IS		C 0737	87-010-552-080	0E	CAP,E 22-16 M 5L MA	SHRJ1M	TV-SA2157
O IS		C 0739	87-012-157-080	0E	C-CAP,S 330P-50 J CH GRM	SHRJ1M	TV-SA2157
O IS		C 0740	87-010-318-080	0E	C-CAP,S 47P-50 J CH GRM	SHRJ1M	TV-SA2157
O IS		C 0741	87-012-140-080	0E	C-CAP,S 470P-50 J CH	SHRJ1M	TV-SA2157
O IS		C 0742	87-010-189-080	0E	C-CAP,S 8200P-50 K B	SHRJ1M	TV-SA2157
O IS		C 0743	87-010-183-080	0E	C-CAP,S 2700P-50 K B GRM	SHRJ1M	TV-SA2157
O IS		C 0744	87-012-142-080	0E	C-CAP,S 0.33-16 Z F GRM	SHRJ1M	TV-SA2157
O IS		C 0745	87-012-157-080	0E	C-CAP,S 330P-50 J CH GRM	SHRJ1M	TV-SA2157
O IS		C 0748	87-012-154-080	0E	C-CAP,S 150P-50 J CH GRM	SHRJ1M	TV-SA2157
O IS		CN 0701	87-A60-722-010	1A	CONN,8P JL-R	SHRJ1M	TV-SA2157
O IS		CN 0702	87-A60-720-010	1A	CONN,6P JL-R	SHRJ1M	TV-SA2157
S IS		D 0701	87-070-345-080	0E	DIODE,1N4148	SHRJ1M	TV-SA2157
S IS		D 0702	87-070-345-080	0E	DIODE,1N4148	SHRJ1M	TV-SA2157
S IS		IC 0701	87-A21-261-010	2Y	IC,MSP3417D	SHRJ1M	TV-SA2157
O IS		L 0701	87-005-461-080	0E	COIL,1UH J FLR50	SHRJ1M	TV-SA2157
O IS		L 0702	87-005-461-080	0E	COIL,1UH J FLR50	SHRJ1M	TV-SA2157
O IS		L 0703	87-005-473-080	0E	COIL,10UH J FLR50	SHRJ1M	TV-SA2157
O IS		L 0705	87-005-473-080	0E	COIL,10UH J FLR50	SHRJ1M	TV-SA2157
O IS		L 0707	87-005-473-080	0E	COIL,10UH J FLR50	SHRJ1M	TV-SA2157
O IS		L 0708	87-005-485-080	0E	COIL,100UH J FLR50	SHRJ1M	TV-SA2157
S IS		Q 0710	89-324-122-080	0E	C-TR,2SC2412KR	SHRJ1M	TV-SA2157
S IS		Q 0711	89-324-122-080	0E	C-TR,2SC2412KR	SHRJ1M	TV-SA2157
S IS		Q 0721	89-324-122-080	0E	C-TR,2SC2412KR	SHRJ1M	TV-SA2157
S IS		Q 0731	89-324-122-080	0E	C-TR,2SC2412KR	SHRJ1M	TV-SA2157
S IS		Q 0741	89-324-122-080	0E	C-TR,2SC2412KR	SHRJ1M	TV-SA2157
X IS		R 0701	88-118-101-080	0E	C-RES,S 100-1/10W J	SHRJ1M	TV-SA2157
X IS		R 0702	88-118-101-080	0E	C-RES,S 100-1/10W J	SHRJ1M	TV-SA2157
X IS		R 0703	88-118-101-080	0E	C-RES,S 100-1/10W J	SHRJ1M	TV-SA2157
X IS		R 0704	88-118-101-080	0E	C-RES,S 100-1/10W J	SHRJ1M	TV-SA2157
X IS		R 0706	88-118-472-080	0E	C-RES,S 4.7K-1/10W J	SHRJ1M	TV-SA2157
X IS		R 0710	88-118-102-080	0E	C-RES,S 1K-1/10W J	SHRJ1M	TV-SA2157
X IS		R 0711	88-118-822-080	0E	C-RES,S 8.2K-1/10W J	SHRJ1M	TV-SA2157
X IS		R 0712	88-118-332-080	0E	C-RES,S 3.3K-1/10W J	SHRJ1M	TV-SA2157
X IS		R 0713	88-118-102-080	0E	C-RES,S 1K-1/10W J	SHRJ1M	TV-SA2157
X IS		R 0714	88-118-102-080	0E	C-RES,S 1K-1/10W J	SHRJ1M	TV-SA2157
X IS		R 0715	88-118-220-080	0E	C-RES,S 22-1/10W J	SHRJ1M	TV-SA2157
X IS		R 0716	88-118-561-080	0E	C-RES,S 560-1/10W J	SHRJ1M	TV-SA2157
X IS		R 0723	88-118-122-080	0E	C-RES,S 1.2K-1/10W J	SHRJ1M	TV-SA2157
X IS		R 0725	88-118-102-080	0E	C-RES,S 1K-1/10W J	SHRJ1M	TV-SA2157
X IS		R 0726	88-118-390-080	0E	C-RES,S 39-1/10W J	SHRJ1M	TV-SA2157
X IS		R 0730	88-118-101-080	0E	C-RES,S 100-1/10W J	SHRJ1M	TV-SA2157
X IS		R 0731	88-118-222-080	0E	C-RES,S 2.2K-1/10W J	SHRJ1M	TV-SA2157
X IS		R 0732	88-118-392-080	0E	C-RES,S 3.9K-1/10W J	SHRJ1M	TV-SA2157
X IS		R 0733	88-118-392-080	0E	C-RES,S 3.9K-1/10W J	SHRJ1M	TV-SA2157
X IS		R 0734	88-118-223-080	0E	C-RES,S 22K-1/10W J	SHRJ1M	TV-SA2157
X IS		R 0735	88-118-102-080	0E	C-RES,S 1K-1/10W J	SHRJ1M	TV-SA2157
X IS		R 0736	88-118-103-080	0E	C-RES,S 10K-1/10W J	SHRJ1M	TV-SA2157
X IS		R 0740	88-118-101-080	0E	C-RES,S 100-1/10W J	SHRJ1M	TV-SA2157
X IS		R 0741	88-118-222-080	0E	C-RES,S 2.2K-1/10W J	SHRJ1M	TV-SA2157
X IS		R 0742	88-118-392-080	0E	C-RES,S 3.9K-1/10W J	SHRJ1M	TV-SA2157
X IS		R 0743	88-118-392-080	0E	C-RES,S 3.9K-1/10W J	SHRJ1M	TV-SA2157
X IS		R 0744	88-118-223-080	0E	C-RES,S 22K-1/10W J	SHRJ1M	TV-SA2157
X IS		R 0745	88-118-102-080	0E	C-RES,S 1K-1/10W J	SHRJ1M	TV-SA2157
X IS		R 0746	88-118-103-080	0E	C-RES,S 10K-1/10W J	SHRJ1M	TV-SA2157
X IS		SH 0701	8Z-JB4-203-010	0E	SHLD-CASE, TOP	SHRJ1M	TV-SA2157
X IS		SH 0702	8Z-JB4-204-010	0E	SHLD-CASE, BOTTOM	SHRJ1M	TV-SA2157
X IS		W 0701	89-990-053-410	0E	WIRE,U24X0-5-5 F	SHRJ1M	TV-SA2157
O IS		X 0701	87-A70-199-080	1C	VIB,XTAL 18.432MHZ	SHRJ1M	TV-SA2157
X LBL, POP			8A-JBC-970-010	--	LBL,POP SHRJ	SHRJ1M	TV-SA2157
! O NK		C 0551	87-010-976-080	0E	CAP,CER 1000P-500 K B DD10	SHRJ1M	TV-SA2157
! O NK		C 0552	87-012-397-010	0E	CAP,CER 1000P-2K K BN DE	SHRJ1M	TV-SA2157
O NK		C 0553	87-018-127-080	0E	CAP,TC U 470P-50 K B UP050	SHRJ1M	TV-SA2157
O NK		C 0554	87-018-127-080	0E	CAP,TC U 470P-50 K B UP050	SHRJ1M	TV-SA2157
O NK		C 0555	87-018-128-080	0E	CAP,TC U 560P-50 K B UP050	SHRJ1M	TV-SA2157
O NK		C 0556	87-010-405-080	0E	CAP,E 10-50 M 11L SME	SHRJ1M	TV-SA2157
O NK		C 0557	87-010-405-080	0E	CAP,E 10-50 M 11L SME	SHRJ1M	TV-SA2157
! O NK		CN 0551	87-009-195-010	0E	CONN,5P V WHT EH	SHRJ1M	TV-SA2157
O NK		CN 0552	87-049-590-010	0E	CONN,5P V WHT 8283	SHRJ1M	TV-SA2157
O NK		CN 0553	87-A61-112-080	0E	CONN,1P V BLU TP00704	SHRJ1M	TV-SA2157
O NK		CN 0554	87-A61-060-080	0E	CONN,1P V RED TP00706	SHRJ1M	TV-SA2157

PARTS LIST

! = Δ SAFTY PARTS
 C = Components marked

All components used on this model at the production line are shown in this service manual.

However, please note that not all components will be available as spare parts for after-sales service.

Components marked S and O are designated as spare parts for service and will be stocked at the spare parts centers.

Components marked X and R are not designated as spare parts for after sales service, and will not be stocked at the spare parts centers.

K NO. = Only use Japanese.

! C	UNIT NAME	REF NO.	PARTS CODE	K NO.	DESCRIPTION	SUFFIX	MODEL NAME
S NK		D 0551	87-070-345-080	0E	DIODE,1N4148	SHRJ1M	TV-SA2157
S NK		D 0552	87-070-345-080	0E	DIODE,1N4148	SHRJ1M	TV-SA2157
S NK		D 0553	87-070-345-080	0E	DIODE,1N4148	SHRJ1M	TV-SA2157
S NK		D 0554	87-070-345-080	0E	DIODE,1N4148	SHRJ1M	TV-SA2157
S NK		D 0555	87-070-345-080	0E	DIODE,1N4148	SHRJ1M	TV-SA2157
S NK		D 0556	87-070-345-080	0E	DIODE,1N4148	SHRJ1M	TV-SA2157
S NK		D 0557	87-070-345-080	0E	DIODE,1N4148	SHRJ1M	TV-SA2157
X NK		D 0558	88-100-000-010	0E	PLATING-JW, 0.58 SN95	SHRJ1M	TV-SA2157
X NK		D 0559	88-100-000-010	0E	PLATING-JW, 0.58 SN95	SHRJ1M	TV-SA2157
O NK		L 0551	87-005-444-080	0E	COIL,100UH K FLR50	SHRJ1M	TV-SA2157
S NK		Q 0551	87-A30-005-010	1A	TR,2SC2688M/L	SHRJ1M	TV-SA2157
S NK		Q 0552	87-A30-005-010	1A	TR,2SC2688M/L	SHRJ1M	TV-SA2157
S NK		Q 0553	87-A30-005-010	1A	TR,2SC2688M/L	SHRJ1M	TV-SA2157
S NK		Q 0554	87-A30-066-080	0E	TR,2SA1175FE	SHRJ1M	TV-SA2157
O NK		R 0551	87-A00-165-090	0E	RES,M/F 15K-2W J RSF(S)	SHRJ1M	TV-SA2157
O NK		R 0552	87-A00-165-090	0E	RES,M/F 15K-2W J RSF(S)	SHRJ1M	TV-SA2157
O NK		R 0553	87-A00-165-090	0E	RES,M/F 15K-2W J RSF(S)	SHRJ1M	TV-SA2157
X NK		R 0554	88-144-332-080	0E	RES,SD 3.3K-1/2W K	SHRJ1M	TV-SA2157
X NK		R 0555	88-144-332-080	0E	RES,SD 3.3K-1/2W K	SHRJ1M	TV-SA2157
X NK		R 0556	88-144-332-080	0E	RES,SD 3.3K-1/2W K	SHRJ1M	TV-SA2157
X NK		R 0558	88-121-391-080	0E	RES,390-1/8W J	SHRJ1M	TV-SA2157
X NK		R 0559	88-121-152-080	0E	RES,1.5K-1/8W J	SHRJ1M	TV-SA2157
X NK		R 0561	88-121-391-080	0E	RES,390-1/8W J	SHRJ1M	TV-SA2157
X NK		R 0563	88-121-152-080	0E	RES,1.5K-1/8W J	SHRJ1M	TV-SA2157
X NK		R 0565	88-121-391-080	0E	RES,390-1/8W J	SHRJ1M	TV-SA2157
X NK		R 0566	88-121-152-080	0E	RES,1.5K-1/8W J	SHRJ1M	TV-SA2157
X NK		R 0571	88-121-562-080	0E	RES,5.6K-1/8W J	SHRJ1M	TV-SA2157
X NK		R 0572	88-121-122-080	0E	RES,1.2K-1/8W J	SHRJ1M	TV-SA2157
X NK		R 0573	88-121-152-080	0E	RES,1.5K-1/8W J	SHRJ1M	TV-SA2157
X NK		R 0574	88-121-103-080	0E	RES,10K-1/8W J	SHRJ1M	TV-SA2157
X NK		R 0575	88-121-100-080	0E	RES,10-1/8W J	SHRJ1M	TV-SA2157
X NK		R 0576	88-121-100-080	0E	RES,10-1/8W J	SHRJ1M	TV-SA2157
X NK		R 0577	88-121-100-080	0E	RES,10-1/8W J	SHRJ1M	TV-SA2157
X NK		R 0578	88-121-391-080	0E	RES,390-1/8W J	SHRJ1M	TV-SA2157
O NK		SO 0551	8Z-JB4-670-010	1B	SOCKET,CRT 9P CVT3327 1603	SHRJ1M	TV-SA2157
X OTHER			80-XV1-218-010	0E	CUSH-S,PWB	SHRJ1M	TV-SA2157
O OTHER			84-LB3-205-010	0E	SPR-E,EARTH	SHRJ1M	TV-SA2157
X OTHER			86-LB2-203-010	0E	CLOTH,15-300-0.5	SHRJ1M	TV-SA2157
X OTHER			86-LBR-204-010	0E	TAPE,100-19	SHRJ1M	TV-SA2157
X OTHER			86-LBT-209-010	1A	CLOTH,15-200-0.3	SHRJ1M	TV-SA2157
! X OTHER			87-069-033-010	0E	CABLE,TIE	SHRJ1M	TV-SA2157
X OTHER			87-JB8-203-010	0E	CLOTH,10-30-0.5 M	SHRJ1M	TV-SA2157
O OTHER			8Z-JBR-201-010	1A	HLDR,PCB 1	SHRJ1M	TV-SA2157
O OTHER			8Z-JBS-204-010	0E	W-PVC,10-20-1	SHRJ1M	TV-SA2157
! O OTHERS,E			87-A50-619-010	1H	DGC,21" 25 OHM-TYPE 8	SHRJ1M	TV-SA2157
! O OTHERS,E			87-A90-332-010	0E	HLDR,SF-2001 HV CABLE	SHRJ1M	TV-SA2157
! O OTHERS,E			8Z-JB4-695-010	1D	AC CORD SET,EH BLK	SHRJ1M	TV-SA2157
O OTHERS,E			8Z-JBX-602-010	1B	CONN ASSY,4P SP 205-0.5	SHRJ1M	TV-SA2157
O OTHERS,E			8Z-JBX-603-010	0E	WIRE ASSY, CRT GND 21	SHRJ1M	TV-SA2157
! S OTHERS,E		F 0801	87-035-458-010	0E	FUSE,4A 250V T 218	SHRJ1M	TV-SA2157
O OTHERS,E		SP 0401	8Z-JB4-620-010	2A	SPKR,6*12 80HM 10W	SHRJ1M	TV-SA2157
O OTHERS,E		SP 0402	8Z-JB4-620-010	2A	SPKR,6*12 80HM 10W	SHRJ1M	TV-SA2157
X PACKING			87-066-133-010	0E	BAG,PV 0.04-75-280	SHRJ1M	TV-SA2157
X PACKING			87-B40-329-010	1A	BAG,FOAMED 0.31-1250-900	SHRJ1M	TV-SA2157
X PACKING			8A-JBC-851-010	--	CTN,PRINTED SHRJ1M	SHRJ1M	TV-SA2157
X PACKING			8Z-JBR-852-010	1D	CUSHION,BOTTOM M	SHRJ1M	TV-SA2157
X PACKING			8Z-JBR-853-010	1D	CUSHION, TOP M	SHRJ1M	TV-SA2157
X PLATE			87-B40-281-010	0E	LBL,BAR-CODE A 35X8	SHRJ1M	TV-SA2157
X PLATE			8A-JBC-004-010	0E	LBL,SPEC SA2157 SHR	SHRJ1M	TV-SA2157
X PLATE			8A-JBC-005-010	--	LBL,CPA SA2157	SHRJ1M	TV-SA2157
O POWER			87-067-619-010	0E	BVTT+3-12	SHRJ1M	TV-SA2157
! O POWER		C 0801	87-A10-688-090	1A	CAP,M/P 0.22-275 K (B81133)	SHRJ1M	TV-SA2157
! O POWER		C 0802	87-A10-688-090	1A	CAP,M/P 0.22-275 K (B81133)	SHRJ1M	TV-SA2157
O POWER		C 0805	87-012-370-010	1A	CAP,CER 3300P-250 M E ECKD	SHRJ1M	TV-SA2157
O POWER		C 0807	87-A10-646-090	1H	CAP,E 220-400 SMH25.4*40)	SHRJ1M	TV-SA2157
O POWER		C 0808	87-010-977-090	0E	CAP,CER 680P-2K K BN BN	SHRJ1M	TV-SA2157
O POWER		C 0809	87-018-131-080	0E	CAP,TC U 1000P-50 K B UP050	SHRJ1M	TV-SA2157
O POWER		C 0810	87-010-384-080	0E	CAP,E 100-25 M 11L SME	SHRJ1M	TV-SA2157
O POWER		C 0811	87-018-127-080	0E	CAP,TC U 470P-50 K B UP050	SHRJ1M	TV-SA2157
O POWER		C 0812	87-018-129-080	0E	CAP,TC U 680P-50 K B UP050	SHRJ1M	TV-SA2157

PARTS LIST

! = Δ SAFTY PARTS
 C = Components marked

All components used on this model at the production line are shown in this service manual.

However, please note that not all components will be available as spare parts for after-sales service.

Components marked S and O are designated as spare parts for service and will be stocked at the spare parts centers.

Components marked X and R are not designated as spare parts for after sales service, and will not be stocked at the spare parts centers.

K NO. = Only use Japanese.

! C	UNIT NAME	REF NO.	PARTS CODE	K NO.	DESCRIPTION	SUFFIX	MODEL NAME
O	POWER	C 0813	87-A10-626-090	1A	CAP,M/P 0.01-1.25K J	SHRJ1M	TV-SA2157
O	POWER	C 0814	87-A10-862-010	0E	CAP,CER 680P-2K K R LONG	SHRJ1M	TV-SA2157
O	POWER	C 0815	87-A11-779-090	1A	CAP,M/P 1000P-1.6K J ECWH (VB)	SHRJ1M	TV-SA2157
O	POWER	C 0816	87-A10-859-090	0E	CAP,CER 390P-2K K R	SHRJ1M	TV-SA2157
O	POWER	C 0817	87-A10-731-090	1C	CAP,E 220-160 M KMF	SHRJ1M	TV-SA2157
O	POWER	C 0818	87-016-221-090	1A	CAP,E 100-160 M TWSS	SHRJ1M	TV-SA2157
O	POWER	C 0822	87-A10-832-080	0E	CAP,CER 1000P-1K K R	SHRJ1M	TV-SA2157
O	POWER	C 0823	87-010-398-090	1B	CAP,E 2200-35 M SME	SHRJ1M	TV-SA2157
O	POWER	C 0824	87-010-397-090	1A	CAP,E 1000-35 M SME	SHRJ1M	TV-SA2157
O	POWER	C 0826	87-010-235-080	0E	CAP,E 470-16 M SME	SHRJ1M	TV-SA2157
O	POWER	C 0827	87-010-405-080	0E	CAP,E 10-50 M 11L SME	SHRJ1M	TV-SA2157
O	POWER	C 0828	87-010-405-080	0E	CAP,E 10-50 M 11L SME	SHRJ1M	TV-SA2157
O	POWER	C 0829	87-A10-469-080	0E	CAP,CER 2200P-500 K B DD10	SHRJ1M	TV-SA2157
O	POWER	C 0830	87-010-405-080	0E	CAP,E 10-50 M 11L SME	SHRJ1M	TV-SA2157
O	POWER	C 0831	87-010-405-080	0E	CAP,E 10-50 M 11L SME	SHRJ1M	TV-SA2157
O	POWER	C 0832	87-010-405-080	0E	CAP,E 10-50 M 11L SME	SHRJ1M	TV-SA2157
O	POWER	C 0833	87-010-405-080	0E	CAP,E 10-50 M 11L SME	SHRJ1M	TV-SA2157
O	POWER	C 0834	87-010-382-080	0E	CAP,E 22-25 M 11L SME	SHRJ1M	TV-SA2157
O	POWER	C 0835	87-010-384-080	0E	CAP,E 100-25 M 11L SME	SHRJ1M	TV-SA2157
X	POWER	CLP0801	87-A60-884-010	0E	PIN,DIAL COATING-SHS	SHRJ1M	TV-SA2157
X	POWER	CLP0802	87-A60-884-010	0E	PIN,DIAL COATING-SHS	SHRJ1M	TV-SA2157
X	POWER	CLP0803	87-A60-884-010	0E	PIN,DIAL COATING-SHS	SHRJ1M	TV-SA2157
!	O POWER	CN 0801	87-099-674-010	0E	CONN,2P V VA	SHRJ1M	TV-SA2157
!	O POWER	CN 0802	82-481-649-010	0E	CONN,2P V VT-50P	SHRJ1M	TV-SA2157
O	POWER	CNA0801	8Z-JB9-663-010	1B	CONN ASSY,8P V AU PW 200	SHRJ1M	TV-SA2157
O	POWER	CNA0802	8Z-JB4-658-010	1A	CONN ASSY,5P MAIN-NK 20"/21"	SHRJ1M	TV-SA2157
O	POWER	D 0801	87-A91-768-010	0E	VRIS,S14K275	SHRJ1M	TV-SA2157
S	POWER	D 0802	87-017-654-060	1C	DIODE,GBU6JL6131	SHRJ1M	TV-SA2157
S	POWER	D 0803	87-A40-286-080	0E	DIODE, RGP10JE-5025	SHRJ1M	TV-SA2157
S	POWER	D 0804	87-A40-509-080	0E	ZENER,MTZJ6.8C	SHRJ1M	TV-SA2157
S	POWER	D 0805	87-A40-286-080	0E	DIODE, RGP10JE-5025	SHRJ1M	TV-SA2157
S	POWER	D 0806	87-A40-286-080	0E	DIODE, RGP10JE-5025	SHRJ1M	TV-SA2157
S	POWER	D 0807	87-A40-286-080	0E	DIODE, RGP10JE-5025	SHRJ1M	TV-SA2157
S	POWER	D 0808	87-A40-286-080	0E	DIODE, RGP10JE-5025	SHRJ1M	TV-SA2157
S	POWER	D 0809	87-A40-856-080	0E	DIODE,UF4007	SHRJ1M	TV-SA2157
S	POWER	D 0810	87-A40-850-090	1A	DIODE,RL4A	SHRJ1M	TV-SA2157
S	POWER	D 0812	87-A40-354-090	1B	DIODE,UF3GL-6251	SHRJ1M	TV-SA2157
S	POWER	D 0813	87-A40-286-080	0E	DIODE, RGP10JE-5025	SHRJ1M	TV-SA2157
S	POWER	D 0815	87-070-345-080	0E	DIODE,1N4148	SHRJ1M	TV-SA2157
S	POWER	D 0816	87-070-345-080	0E	DIODE,1N4148	SHRJ1M	TV-SA2157
S	POWER	D 0817	87-070-345-080	0E	DIODE,1N4148	SHRJ1M	TV-SA2157
S	POWER	D 0818	87-A40-286-080	0E	DIODE, RGP10JE-5025	SHRJ1M	TV-SA2157
S	POWER	D 0819	87-A40-611-080	0E	ZENER,MTZJ3.9B	SHRJ1M	TV-SA2157
S	POWER	D 0820	87-070-345-080	0E	DIODE,1N4148	SHRJ1M	TV-SA2157
S	POWER	D 0821	87-070-345-080	0E	DIODE,1N4148	SHRJ1M	TV-SA2157
O	POWER	FB 0801	87-003-320-080	1A	F-BEAD,-9.0 FBR07HA121NB-00	SHRJ1M	TV-SA2157
O	POWER	FB 0802	87-003-320-080	1A	F-BEAD,-9.0 FBR07HA121NB-00	SHRJ1M	TV-SA2157
O	POWER	FB 0805	87-003-320-080	1A	F-BEAD,-9.0 FBR07HA121NB-00	SHRJ1M	TV-SA2157
O	POWER	FB 0806	87-003-320-080	1A	F-BEAD,-9.0 FBR07HA121NB-00	SHRJ1M	TV-SA2157
O	POWER	FC 0801	87-033-213-080	0E	FUSE CLAMP,PFC5000	SHRJ1M	TV-SA2157
O	POWER	FC 0802	87-033-213-080	0E	FUSE CLAMP,PFC5000	SHRJ1M	TV-SA2157
X	POWER	FR 0801	88-100-000-010	0E	PLATING-JW, 0.58 SN95	SHRJ1M	TV-SA2157
O	POWER	FR 0803	87-A00-672-090	0E	RES,M/F 68-3W J RSS3L20	SHRJ1M	TV-SA2157
X	POWER	HT 0802	8Z-JB9-202-010	--	HT-SINK,POWER W63*H70	SHRJ1M	TV-SA2157
S	POWER	IC 0801	87-A21-344-010	2A	IC,STR-F6656	SHRJ1M	TV-SA2157
S	POWER	IC 0802	87-020-903-010	1B	IC,NJM7805FA	SHRJ1M	TV-SA2157
S	POWER	IC 0803	87-A20-389-010	1A	IC,NJM7809FA	SHRJ1M	TV-SA2157
S	POWER	IC 0804	87-020-903-010	1B	IC,NJM7805FA	SHRJ1M	TV-SA2157
O	POWER	L 0801	87-A50-170-010	1B	COIL,390UH RCH106	SHRJ1M	TV-SA2157
!	O POWER	LF 0801	87-JB8-651-010	1C	FLTR,LINE SS24H-K15070	SHRJ1M	TV-SA2157
S	POWER	PR 0801	87-A90-090-080	0E	PROTECTOR,1.5A 491SERIES 60V	SHRJ1M	TV-SA2157
S	POWER	PR 0803	87-A90-094-080	0E	PROTECTOR,4A 491SERIES 60V	SHRJ1M	TV-SA2157
S	POWER	PR 0804	87-A90-094-080	0E	PROTECTOR,4A 491SERIES 60V	SHRJ1M	TV-SA2157
X	POWER	PR 0805	88-100-000-010	0E	PLATING-JW, 0.58 SN95	SHRJ1M	TV-SA2157
!	O POWER	PS 0801	87-A91-407-010	1A	P-COUPLER,ON3171-R	SHRJ1M	TV-SA2157
!	O POWER	PS 0802	87-A91-407-010	1A	P-COUPLER,ON3171-R	SHRJ1M	TV-SA2157
!	O POWER	PT 0801	8Z-JBA-621-010	2M	PT,SW ZJB-KE-7 M	SHRJ1M	TV-SA2157
S	POWER	Q 0801	87-A30-066-080	0E	TR,2SA1175FE	SHRJ1M	TV-SA2157
S	POWER	Q 0802	87-A30-041-110	1C	TR,SE115N	SHRJ1M	TV-SA2157
S	POWER	Q 0803	87-A30-090-080	0E	FET,2SK2541	SHRJ1M	TV-SA2157

PARTS LIST

! = Δ SAFTY PARTS
 C = Components marked

All components used on this model at the production line are shown in this service manual.

However, please note that not all components will be available as spare parts for after-sales service.

Components marked S and O are designated as spare parts for service and will be stocked at the spare parts centers.

Components marked X and R are not designated as spare parts for after sales service, and will not be stocked at the spare parts centers.

K NO. = Only use Japanese.

! C	UNIT NAME	REF NO.	PARTS CODE	K NO.	DESCRIPTION	SUFFIX	MODEL NAME
S	POWER	Q 0805	87-A30-090-080	0E	FET,2SK2541	SHRJ1M	TV-SA2157
S	POWER	Q 0806	87-A30-066-080	0E	TR,2SA1175FE	SHRJ1M	TV-SA2157
S	POWER	Q 0807	87-A30-091-080	1E	FET,2SJ460	SHRJ1M	TV-SA2157
X	POWER	R 0801	88-144-684-080	0E	RES,SD 680K-1/2W K	SHRJ1M	TV-SA2157
O	POWER	R 0802	87-A00-552-010	1A	RES,CEM 1.0-10W J MPC722	SHRJ1M	TV-SA2157
O	POWER	R 0803	87-A00-552-010	1A	RES,CEM 1.0-10W J MPC722	SHRJ1M	TV-SA2157
O	POWER	R 0804	87-A00-543-080	1A	RES,SD 8.2M-1W J RCR60	SHRJ1M	TV-SA2157
X	POWER	R 0805	88-144-684-080	0E	RES,SD 680K-1/2W K	SHRJ1M	TV-SA2157
X	POWER	R 0806	88-121-273-080	0E	RES,27K-1/8W J	SHRJ1M	TV-SA2157
O	POWER	R 0807	87-A00-639-090	1B	RES,CEM 0.15-5W K BPR	SHRJ1M	TV-SA2157
O	POWER	R 0808	87-A00-573-090	0E	RES,CEM 0.33-5W J MPC71	SHRJ1M	TV-SA2157
X	POWER	R 0809	88-121-681-080	0E	RES,680-1/8W J	SHRJ1M	TV-SA2157
X	POWER	R 0810	88-121-222-080	0E	RES,2.2K-1/8W J	SHRJ1M	TV-SA2157
X	POWER	R 0811	88-121-103-080	0E	RES,10K-1/8W J	SHRJ1M	TV-SA2157
X	POWER	R 0812	88-100-000-010	0E	PLATING-JW, 0.58 SN95	SHRJ1M	TV-SA2157
X	POWER	R 0813	88-140-100-080	0E	RES,10-1/2W J	SHRJ1M	TV-SA2157
X	POWER	R 0814	88-130-152-080	0E	RES,1.5K-1/4W J	SHRJ1M	TV-SA2157
O	POWER	R 0816	87-A00-170-090	0E	RES,M/F 82K-3W J RSF(S)	SHRJ1M	TV-SA2157
O	POWER	R 0817	87-A00-223-090	0E	RES,M/F 47K-2W J RSF(S)	SHRJ1M	TV-SA2157
X	POWER	R 0820	88-121-151-080	0E	RES,150-1/8W J	SHRJ1M	TV-SA2157
X	POWER	R 0821	88-121-151-080	0E	RES,150-1/8W J	SHRJ1M	TV-SA2157
X	POWER	R 0822	88-121-101-080	0E	RES,100-1/8W J	SHRJ1M	TV-SA2157
X	POWER	R 0823	88-121-103-080	0E	RES,10K-1/8W J	SHRJ1M	TV-SA2157
X	POWER	R 0824	88-121-102-080	0E	RES,1K-1/8W J	SHRJ1M	TV-SA2157
X	POWER	R 0825	88-121-222-080	0E	RES,2.2K-1/8W J	SHRJ1M	TV-SA2157
O	POWER	R 0827	87-A00-673-090	1B	RES,M/F 82K-5W J RSS5L30	SHRJ1M	TV-SA2157
X	POWER	R 0828	88-121-472-080	0E	RES,4.7K-1/8W J	SHRJ1M	TV-SA2157
X	POWER	R 0829	88-121-473-080	0E	RES,47K-1/8W J	SHRJ1M	TV-SA2157
O	POWER	R 0830	87-A00-077-090	0E	RES,M/F 8.2-3W J	SHRJ1M	TV-SA2157
X	POWER	R 0831	88-121-153-080	0E	RES,15K-1/8W J	SHRJ1M	TV-SA2157
!	O POWER	S 0801	87-A91-410-010	1B	SW,AC PUSH 1-1-1 ESB92SH1B	SHRJ1M	TV-SA2157
!	O POWER	THP0801	87-A91-405-010	1B	POS-THMS,T209-B80-A10	SHRJ1M	TV-SA2157
X	POWER	W 0801	89-990-053-410	0E	WIRE,U24X0-5-5 F	SHRJ1M	TV-SA2157
X	PRINTS		87-B40-086-010	0E	BAG,PV 0.04-230-400 PL	SHRJ1M	TV-SA2157
X	PRINTS		87-B50-066-010	0E	LIST,FACILITY(B)-TOKYO	SHRJ1M	TV-SA2157
O	PRINTS		8A-JBB-901-010	--	IB,SH (E/CH/A/P)SX2177, SA2157	SHRJ1M	TV-SA2157
X	PRINTS		8A-JBC-902-010	--	WARR-CARD,-SA2157SH	SHRJ1M	TV-SA2157
X	PWB	*	8Z-JB9-601-210	1H	PWB,MAIN SH/KE	SHRJ1M	TV-SA2157
X	PWB,IS	*	8Z-JB9-605-210	1A	PWB,NICAM SH/KE 4M	SHRJ1M	TV-SA2157
X	PWB,NK	*	8Z-JB9-602-210	1H	PWB,COMB NK AU 2M	SHRJ1M	TV-SA2157
X	PWB,NK	*	8Z-JB9-603-210	--	PWB,NK SH/KE	SHRJ1M	TV-SA2157
X	PWB,NK	*	8Z-JB9-604-210	--	PWB,AUDIO SH/KE	SHRJ1M	TV-SA2157
X	PWB,NK	*	8Z-JB9-607-210	--	PWB,KEY	SHRJ1M	TV-SA2157
X	PWB,NK	*	8Z-JB9-608-210	--	PWB,JOINT F	SHRJ1M	TV-SA2157
X	PWB,NK	*	8Z-JB9-609-210	--	PWB,JOINT R	SHRJ1M	TV-SA2157
X	PWB,NK OTHER	EY 0401	81-JT1-215-010	0E	EYELET2.0-3.0	SHRJ1M	TV-SA2157
X	PWB,NK OTHER	EY 0402	81-JT1-215-010	0E	EYELET2.0-3.0	SHRJ1M	TV-SA2157
X	PWB,NK OTHER	EY 0403	81-JT1-215-010	0E	EYELET2.0-3.0	SHRJ1M	TV-SA2157
X	PWB,NK OTHER	EY 0404	81-JT1-215-010	0E	EYELET2.0-3.0	SHRJ1M	TV-SA2157
X	PWB,OTHER	EY 0601	81-JT1-215-010	0E	EYELET2.0-3.0	SHRJ1M	TV-SA2157
X	PWB,OTHER	EY 0602	81-JT1-215-010	0E	EYELET2.0-3.0	SHRJ1M	TV-SA2157
X	PWB,OTHER	EY 0603	81-JT1-215-010	0E	EYELET2.0-3.0	SHRJ1M	TV-SA2157
X	PWB,OTHER	EY 0604	81-JT1-215-010	0E	EYELET2.0-3.0	SHRJ1M	TV-SA2157
X	PWB,OTHER	EY 0605	81-JT1-215-010	0E	EYELET2.0-3.0	SHRJ1M	TV-SA2157
X	PWB,OTHER	EY 0606	81-JT1-215-010	0E	EYELET2.0-3.0	SHRJ1M	TV-SA2157
X	PWB,OTHER	EY 0607	81-JT1-215-010	0E	EYELET2.0-3.0	SHRJ1M	TV-SA2157
X	PWB,OTHER	EY 0608	81-JT1-215-010	0E	EYELET2.0-3.0	SHRJ1M	TV-SA2157
X	PWB,OTHER	EY 0609	81-JT1-215-010	0E	EYELET2.0-3.0	SHRJ1M	TV-SA2157
X	PWB,OTHER	EY 0610	81-JT1-215-010	0E	EYELET2.0-3.0	SHRJ1M	TV-SA2157
X	PWB,OTHER	EY 0611	81-JT1-215-010	0E	EYELET2.0-3.0	SHRJ1M	TV-SA2157
X	PWB,OTHER	EY 0612	81-JT1-215-010	0E	EYELET2.0-3.0	SHRJ1M	TV-SA2157
X	PWB,OTHER	EY 0614	81-JT1-216-010	0E	EYELET,1.6-3.0	SHRJ1M	TV-SA2157
X	PWB,OTHER	EY 0615	81-JT1-216-010	0E	EYELET,1.6-3.0	SHRJ1M	TV-SA2157
X	PWB,OTHER	EY 0617	81-JT1-216-010	0E	EYELET,1.6-3.0	SHRJ1M	TV-SA2157
X	PWB,OTHER	EY 0618	81-JT1-216-010	0E	EYELET,1.6-3.0	SHRJ1M	TV-SA2157
X	PWB,OTHER	EY 0619	81-JT1-216-010	0E	EYELET,1.6-3.0	SHRJ1M	TV-SA2157
X	PWB,OTHER	EY 0620	81-JT1-216-010	0E	EYELET,1.6-3.0	SHRJ1M	TV-SA2157
X	PWB,OTHER	EY 0802	81-JT1-215-010	0E	EYELET2.0-3.0	SHRJ1M	TV-SA2157
X	PWB,OTHER	EY 0803	81-JT1-215-010	0E	EYELET2.0-3.0	SHRJ1M	TV-SA2157
X	PWB,OTHER	EY 0804	81-JT1-215-010	0E	EYELET2.0-3.0	SHRJ1M	TV-SA2157

PARTS LIST

! = Δ SAFTY PARTS
 C = Components marked

All components used on this model at the production line are shown in this service manual.

However, please note that not all components will be available as spare parts for after-sales service.

Components marked S and O are designated as spare parts for service and will be stocked at the spare parts centers.

Components marked X and R are not designated as spare parts for after sales service, and will not be stocked at the spare parts centers.

K NO. = Only use japanese.

! C	UNIT NAME	REF NO.	PARTS CODE	K NO.	DESCRIPTION	SUFFIX	MODEL NAME
X	PWB, OTHER	EY 0805	81-JT1-215-010	0E	EYELET2.0-3.0	SHRJ1M	TV-SA2157
X	PWB, OTHER	EY 0807	81-JT1-215-010	0E	EYELET2.0-3.0	SHRJ1M	TV-SA2157
X	PWB, OTHER	EY 0808	81-JT1-215-010	0E	EYELET2.0-3.0	SHRJ1M	TV-SA2157
X	PWB, OTHER	EY 0812	81-JT1-215-010	0E	EYELET2.0-3.0	SHRJ1M	TV-SA2157
X	PWB, OTHER	EY 0813	81-JT1-215-010	0E	EYELET2.0-3.0	SHRJ1M	TV-SA2157
X	PWB, OTHER	EY 0814	81-JT1-216-010	0E	EYELET, 1.6-3.0	SHRJ1M	TV-SA2157
X	PWB, OTHER	EY 0815	81-JT1-216-010	0E	EYELET, 1.6-3.0	SHRJ1M	TV-SA2157
X	PWB, OTHER	EY 0818	81-JT1-216-010	0E	EYELET, 1.6-3.0	SHRJ1M	TV-SA2157
X	PWB, OTHER	EY 0819	81-JT1-216-010	0E	EYELET, 1.6-3.0	SHRJ1M	TV-SA2157
X	PWB, OTHER	EY 0820	81-JT1-216-010	0E	EYELET, 1.6-3.0	SHRJ1M	TV-SA2157
X	PWB, OTHER	EY 0829	81-JT1-216-010	0E	EYELET, 1.6-3.0	SHRJ1M	TV-SA2157
X	PWB, OTHER	EY 0830	81-JT1-216-010	0E	EYELET, 1.6-3.0	SHRJ1M	TV-SA2157
X	PWB, OTHER	EY 0831	81-JT1-216-010	0E	EYELET, 1.6-3.0	SHRJ1M	TV-SA2157
X	PWB, OTHER	EY 0833	81-JT1-216-010	0E	EYELET, 1.6-3.0	SHRJ1M	TV-SA2157
X	PWB, OTHER	EY 0835	81-JT1-216-010	0E	EYELET, 1.6-3.0	SHRJ1M	TV-SA2157
X	PWB, OTHER	EY 0837	81-JT1-216-010	0E	EYELET, 1.6-3.0	SHRJ1M	TV-SA2157
X	PWB, OTHER	EY 0839	81-JT1-216-010	0E	EYELET, 1.6-3.0	SHRJ1M	TV-SA2157
X	PWB, OTHER	EY 0840	81-JT1-216-010	0E	EYELET, 1.6-3.0	SHRJ1M	TV-SA2157
X	PWB, OTHER	EY 0841	81-JT1-216-010	0E	EYELET, 1.6-3.0	SHRJ1M	TV-SA2157
X	PWB, OTHER	EY 0842	81-JT1-216-010	0E	EYELET, 1.6-3.0	SHRJ1M	TV-SA2157
X	PWB, OTHER	EY 0843	81-JT1-216-010	0E	EYELET, 1.6-3.0	SHRJ1M	TV-SA2157
X	PWB, OTHER	EY 0844	81-JT1-216-010	0E	EYELET, 1.6-3.0	SHRJ1M	TV-SA2157
X	PWB, OTHER	EY 0845	81-JT1-216-010	0E	EYELET, 1.6-3.0	SHRJ1M	TV-SA2157
X	PWB, OTHER	EY 0846	81-JT1-216-010	0E	EYELET, 1.6-3.0	SHRJ1M	TV-SA2157
X	PWB, OTHER	EY 0847	81-JT1-215-010	0E	EYELET2.0-3.0	SHRJ1M	TV-SA2157
X	PWB, OTHER	EY 0848	81-JT1-215-010	0E	EYELET2.0-3.0	SHRJ1M	TV-SA2157
X	PWB, OTHER	EY 0849	81-JT1-215-010	0E	EYELET2.0-3.0	SHRJ1M	TV-SA2157
X	PWB, OTHER	EY 0850	81-JT1-215-010	0E	EYELET2.0-3.0	SHRJ1M	TV-SA2157
X	PWB, TEXT	8A-JEG-606-010	1A	PWB, TEXT	4M	SHRJ1M	TV-SA2157
O	SCREW	86-LBB-206-010	0E	S-SCREW, ASSY	TV5-40 W20	SHRJ1M	TV-SA2157
O	SCREW	87-067-680-010	0E	BVIT3B+3-10		SHRJ1M	TV-SA2157
O	SCREW	87-067-690-010	0E	BVIT3B+3-12 BLK		SHRJ1M	TV-SA2157
O	SCREW	87-067-758-010	0E	BVT2+3-12 W/O SLOT		SHRJ1M	TV-SA2157
O	SCREW	87-067-761-010	0E	BVT2+3-10 BLK		SHRJ1M	TV-SA2157
O	SCREW	87-067-844-010	0E	BVT2+4-16 BLK		SHRJ1M	TV-SA2157
O	SCREW	87-078-070-010	0E	BVIT3B+4-12		SHRJ1M	TV-SA2157
O	SYSCON	C 0001	87-018-151-080	0E	CAP, TC U 20P-50 J CH UP050	SHRJ1M	TV-SA2157
O	SYSCON	C 0002	87-A11-073-080	0E	CAP, TC U 22P-50 J CH	SHRJ1M	TV-SA2157
O	SYSCON	C 0003	87-010-405-080	0E	CAP, E 10-50 M 11L SME	SHRJ1M	TV-SA2157
O	SYSCON	C 0004	87-018-134-080	0E	CAP, TC U 0.01-16 N Y UP050	SHRJ1M	TV-SA2157
O	SYSCON	C 0005	87-010-263-080	0E	CAP, E 100-10 M 11L SME	SHRJ1M	TV-SA2157
O	SYSCON	C 0006	87-018-119-080	0E	CAP, TC U 100P-50 K B UP050	SHRJ1M	TV-SA2157
O	SYSCON	C 0007	87-010-405-080	0E	CAP, E 10-50 M 11L SME	SHRJ1M	TV-SA2157
O	SYSCON	C 0008	87-010-405-080	0E	CAP, E 10-50 M 11L SME	SHRJ1M	TV-SA2157
O	SYSCON	C 0009	87-018-134-080	0E	CAP, TC U 0.01-16 N Y UP050	SHRJ1M	TV-SA2157
O	SYSCON	C 0010	87-018-119-080	0E	CAP, TC U 100P-50 K B UP050	SHRJ1M	TV-SA2157
O	SYSCON	C 0011	87-018-119-080	0E	CAP, TC U 100P-50 K B UP050	SHRJ1M	TV-SA2157
O	SYSCON	C 0013	87-010-405-080	0E	CAP, E 10-50 M 11L SME	SHRJ1M	TV-SA2157
O	SYSCON	C 0014	87-018-129-080	0E	CAP, TC U 680P-50 K B UP050	SHRJ1M	TV-SA2157
O	SYSCON	C 0015	87-018-149-080	0E	CAP, TC U 15P-50 J CH UP050	SHRJ1M	TV-SA2157
O	SYSCON	C 0016	87-018-149-080	0E	CAP, TC U 15P-50 J CH UP050	SHRJ1M	TV-SA2157
O	SYSCON	C 0017	87-010-404-080	0E	CAP, E 4.7-50 M 11L SME	SHRJ1M	TV-SA2157
O	SYSCON	CN 0001	87-099-407-010	0E	CONN, 7P V WHT EH	SHRJ1M	TV-SA2157
O	SYSCON	CN 0002	87-A60-734-010	1A	CONN, 8P JL-BT	SHRJ1M	TV-SA2157
O	SYSCON	CN 0003	87-A60-731-010	1A	CONN, 5P JL-BT	SHRJ1M	TV-SA2157
S	SYSCON	D 0001	87-070-345-080	0E	DIODE, 1N4148	SHRJ1M	TV-SA2157
S	SYSCON	D 0002	87-070-345-080	0E	DIODE, 1N4148	SHRJ1M	TV-SA2157
S	SYSCON	D 0003	87-070-345-080	0E	DIODE, 1N4148	SHRJ1M	TV-SA2157
S	SYSCON	D 0004	87-070-345-080	0E	DIODE, 1N4148	SHRJ1M	TV-SA2157
S	SYSCON	D 0005	87-070-345-080	0E	DIODE, 1N4148	SHRJ1M	TV-SA2157
S	SYSCON	D 0006	87-070-345-080	0E	DIODE, 1N4148	SHRJ1M	TV-SA2157
S	SYSCON	D 0007	87-070-345-080	0E	DIODE, 1N4148	SHRJ1M	TV-SA2157
S	SYSCON	D 0008	87-070-345-080	0E	DIODE, 1N4148	SHRJ1M	TV-SA2157
O	SYSCON	D 0009	87-A40-422-010	1A	LED, SLP-581D-51 Y-G/R	SHRJ1M	TV-SA2157
S	SYSCON	D 0010	87-A40-347-080	0E	ZENER, MTZJ2.2B	SHRJ1M	TV-SA2157
S	SYSCON	D 0011	87-A40-347-080	0E	ZENER, MTZJ2.2B	SHRJ1M	TV-SA2157
O	SYSCON	FB 0001	87-003-320-080	1A	F-BEAD, -9.0 FBR07HA121NB-00	SHRJ1M	TV-SA2157
O	SYSCON	HL 0009	84-LB3-216-010	0E	HLDR, LED	SHRJ1M	TV-SA2157
S	SYSCON	IC 0001	8A-JEE-651-010	2A	IC, TMP87CP38N-1N14	SHRJ1M	TV-SA2157
S	SYSCON	IC 0002	87-A21-133-080	0E	IC, BMR-0101D	SHRJ1M	TV-SA2157

PARTS LIST

! = Δ SAFTY PARTS
 C = Components marked

All components used on this model at the production line are shown in this service manual.

However, please note that not all components will be available as spare parts for after-sales service.

Components marked S and O are designated as spare parts for service and will be stocked at the spare parts centers.

Components marked X and R are not designated as spare parts for after sales service, and will not be stocked at the spare parts centers.

K NO. = Only use japanese.

! C	UNIT NAME	REF NO.	PARTS CODE	K NO.	DESCRIPTION	SUFFIX	MODEL NAME
O	SYSCON	IC 0003	87-A91-538-010	1B	RCR UNIT, SBX1981-72P	SHRJ1M	TV-SA2157
S	SYSCON	IC 0004	87-A21-433-010	1A	IC, KS24C041I	SHRJ1M	TV-SA2157
O	SYSCON	L 0001	87-005-688-080	0E	COIL, 22UH J LF5.0S	SHRJ1M	TV-SA2157
O	SYSCON	L 0002	87-003-152-080	0E	COIL, 100UH J LAL02	SHRJ1M	TV-SA2157
S	SYSCON	Q 0002	87-A30-090-080	0E	FET, 2SK2541	SHRJ1M	TV-SA2157
S	SYSCON	Q 0003	87-A30-091-080	1E	FET, 2SJ460	SHRJ1M	TV-SA2157
X	SYSCON	R 0001	88-121-102-080	0E	RES, 1K-1/8W J	SHRJ1M	TV-SA2157
X	SYSCON	R 0002	88-121-331-080	0E	RES, 330-1/8W J	SHRJ1M	TV-SA2157
X	SYSCON	R 0003	88-121-331-080	0E	RES, 330-1/8W J	SHRJ1M	TV-SA2157
X	SYSCON	R 0004	88-121-331-080	0E	RES, 330-1/8W J	SHRJ1M	TV-SA2157
X	SYSCON	R 0005	88-121-102-080	0E	RES, 1K-1/8W J	SHRJ1M	TV-SA2157
X	SYSCON	R 0006	88-121-331-080	0E	RES, 330-1/8W J	SHRJ1M	TV-SA2157
X	SYSCON	R 0007	88-121-103-080	0E	RES, 10K-1/8W J	SHRJ1M	TV-SA2157
X	SYSCON	R 0008	88-121-103-080	0E	RES, 10K-1/8W J	SHRJ1M	TV-SA2157
X	SYSCON	R 0009	88-121-101-080	0E	RES, 100-1/8W J	SHRJ1M	TV-SA2157
X	SYSCON	R 0010	88-121-101-080	0E	RES, 100-1/8W J	SHRJ1M	TV-SA2157
X	SYSCON	R 0011	88-121-272-080	0E	RES, 2.7K-1/8W J	SHRJ1M	TV-SA2157
X	SYSCON	R 0012	88-121-152-080	0E	RES, 1.5K-1/8W J	SHRJ1M	TV-SA2157
X	SYSCON	R 0013	88-121-102-080	0E	RES, 1K-1/8W J	SHRJ1M	TV-SA2157
X	SYSCON	R 0014	88-121-103-080	0E	RES, 10K-1/8W J	SHRJ1M	TV-SA2157
X	SYSCON	R 0016	88-121-104-080	0E	RES, 100K-1/8W J	SHRJ1M	TV-SA2157
X	SYSCON	R 0017	88-121-103-080	0E	RES, 10K-1/8W J	SHRJ1M	TV-SA2157
X	SYSCON	R 0018	88-121-103-080	0E	RES, 10K-1/8W J	SHRJ1M	TV-SA2157
X	SYSCON	R 0019	88-121-102-080	0E	RES, 1K-1/8W J	SHRJ1M	TV-SA2157
X	SYSCON	R 0021	88-121-222-080	0E	RES, 2.2K-1/8W J	SHRJ1M	TV-SA2157
X	SYSCON	R 0022	88-121-222-080	0E	RES, 2.2K-1/8W J	SHRJ1M	TV-SA2157
X	SYSCON	R 0023	88-121-222-080	0E	RES, 2.2K-1/8W J	SHRJ1M	TV-SA2157
X	SYSCON	R 0024	88-121-222-080	0E	RES, 2.2K-1/8W J	SHRJ1M	TV-SA2157
X	SYSCON	R 0025	88-121-102-080	0E	RES, 1K-1/8W J	SHRJ1M	TV-SA2157
X	SYSCON	R 0026	88-121-102-080	0E	RES, 1K-1/8W J	SHRJ1M	TV-SA2157
X	SYSCON	R 0027	88-121-102-080	0E	RES, 1K-1/8W J	SHRJ1M	TV-SA2157
X	SYSCON	R 0028	88-121-103-080	0E	RES, 10K-1/8W J	SHRJ1M	TV-SA2157
X	SYSCON	R 0029	88-100-000-010	0E	PLATING-JW, 0.58 SN95	SHRJ1M	TV-SA2157
X	SYSCON	R 0030	88-121-472-080	0E	RES, 4.7K-1/8W J	SHRJ1M	TV-SA2157
X	SYSCON	R 0031	88-121-472-080	0E	RES, 4.7K-1/8W J	SHRJ1M	TV-SA2157
X	SYSCON	R 0032	88-121-101-080	0E	RES, 100-1/8W J	SHRJ1M	TV-SA2157
X	SYSCON	R 0033	88-121-472-080	0E	RES, 4.7K-1/8W J	SHRJ1M	TV-SA2157
X	SYSCON	R 0034	88-121-101-080	0E	RES, 100-1/8W J	SHRJ1M	TV-SA2157
X	SYSCON	R 0035	88-121-472-080	0E	RES, 4.7K-1/8W J	SHRJ1M	TV-SA2157
X	SYSCON	R 0036	88-121-472-080	0E	RES, 4.7K-1/8W J	SHRJ1M	TV-SA2157
X	SYSCON	R 0037	88-121-472-080	0E	RES, 4.7K-1/8W J	SHRJ1M	TV-SA2157
X	SYSCON	R 0038	88-121-472-080	0E	RES, 4.7K-1/8W J	SHRJ1M	TV-SA2157
X	SYSCON	R 0039	88-121-103-080	0E	RES, 10K-1/8W J	SHRJ1M	TV-SA2157
X	SYSCON	R 0040	88-121-102-080	0E	RES, 1K-1/8W J	SHRJ1M	TV-SA2157
X	SYSCON	R 0041	88-121-331-080	0E	RES, 330-1/8W J	SHRJ1M	TV-SA2157
X	SYSCON	R 0042	88-121-103-080	0E	RES, 10K-1/8W J	SHRJ1M	TV-SA2157
X	SYSCON	R 0043	88-121-331-080	0E	RES, 330-1/8W J	SHRJ1M	TV-SA2157
X	SYSCON	R 0044	88-121-103-080	0E	RES, 10K-1/8W J	SHRJ1M	TV-SA2157
X	SYSCON	R 0046	88-121-222-080	0E	RES, 2.2K-1/8W J	SHRJ1M	TV-SA2157
X	SYSCON	R 0047	88-121-222-080	0E	RES, 2.2K-1/8W J	SHRJ1M	TV-SA2157
X	SYSCON	R 0048	88-121-332-080	0E	RES, 3.3K-1/8W J	SHRJ1M	TV-SA2157
X	SYSCON	R 0049	88-121-472-080	0E	RES, 4.7K-1/8W J	SHRJ1M	TV-SA2157
X	SYSCON	R 0050	88-121-103-080	0E	RES, 10K-1/8W J	SHRJ1M	TV-SA2157
X	SYSCON	R 0051	88-121-223-080	0E	RES, 22K-1/8W J	SHRJ1M	TV-SA2157
X	SYSCON	R 0053	88-121-472-080	0E	RES, 4.7K-1/8W J	SHRJ1M	TV-SA2157
X	SYSCON	R 0054	88-121-223-080	0E	RES, 22K-1/8W J	SHRJ1M	TV-SA2157
X	SYSCON	R 0055	88-121-103-080	0E	RES, 10K-1/8W J	SHRJ1M	TV-SA2157
X	SYSCON	R 0056	88-121-221-080	0E	RES, 220-1/8W J	SHRJ1M	TV-SA2157
X	SYSCON	R 0057	88-121-221-080	0E	RES, 220-1/8W J	SHRJ1M	TV-SA2157
X	SYSCON	R 0058	88-121-103-080	0E	RES, 10K-1/8W J	SHRJ1M	TV-SA2157
X	SYSCON	R 0059	88-121-223-080	0E	RES, 22K-1/8W J	SHRJ1M	TV-SA2157
X	SYSCON	R 0060	88-121-101-080	0E	RES, 100-1/8W J	SHRJ1M	TV-SA2157
X	SYSCON	R 0061	88-121-101-080	0E	RES, 100-1/8W J	SHRJ1M	TV-SA2157
X	SYSCON	R 0062	88-121-101-080	0E	RES, 100-1/8W J	SHRJ1M	TV-SA2157
X	SYSCON	R 0063	88-121-101-080	0E	RES, 100-1/8W J	SHRJ1M	TV-SA2157
X	SYSCON	R 0064	88-121-101-080	0E	RES, 100-1/8W J	SHRJ1M	TV-SA2157
X	SYSCON	R 0065	88-121-103-080	0E	RES, 10K-1/8W J	SHRJ1M	TV-SA2157
X	SYSCON	R 0066	88-121-821-080	0E	RES, 820-1/8W J	SHRJ1M	TV-SA2157
O	SYSCON	S 0001	87-A90-712-080	0E	SW, TACT EVQ11L07K	SHRJ1M	TV-SA2157
O	SYSCON	S 0002	87-A90-712-080	0E	SW, TACT EVQ11L07K	SHRJ1M	TV-SA2157

PARTS LIST

! = Δ SAFTY PARTS
 C = Components marked

All components used on this model at the production line are shown in this service manual.

However, please note that not all components will be available as spare parts for after-sales service.

Components marked S and O are designated as spare parts for service and will be stocked at the spare parts centers.

Components marked X and R are not designated as spare parts for after sales service, and will not be stocked at the spare parts centers.

K NO. = Only use japanese.

! C	UNIT NAME	REF NO.	PARTS CODE	K NO.	DESCRIPTION	SUFFIX	MODEL NAME
O	SYSCON	S 0003	87-A90-712-080	0E	SW, TACT EVQ11L07K	SHRJ1M	TV-SA2157
O	SYSCON	S 0004	87-A90-712-080	0E	SW, TACT EVQ11L07K	SHRJ1M	TV-SA2157
O	SYSCON	S 0005	87-A90-712-080	0E	SW, TACT EVQ11L07K	SHRJ1M	TV-SA2157
O	SYSCON	S 0006	87-A90-712-080	0E	SW, TACT EVQ11L07K	SHRJ1M	TV-SA2157
X	SYSCON	SH 0001	8Z-JBR-210-010	0E	SHLD-CASE, MICRO	SHRJ1M	TV-SA2157
O	SYSCON	X 0001	87-030-300-080	1B	VIB, XTAL 8.000MHZ HC-49/U	SHRJ1M	TV-SA2157
X	TEXT		80-XV1-218-010	0E	CUSH-S, PWB	SHRJ1M	TV-SA2157
O	TEXT	C 0751	87-010-196-080	0E	C-CAP, S 0.1-25 Z F C2012	SHRJ1M	TV-SA2157
O	TEXT	C 0752	87-010-196-080	0E	C-CAP, S 0.1-25 Z F C2012	SHRJ1M	TV-SA2157
O	TEXT	C 0753	87-010-196-080	0E	C-CAP, S 0.1-25 Z F C2012	SHRJ1M	TV-SA2157
O	TEXT	C 0754	87-010-197-080	0E	C-CAP, S 0.01-25 K B C2012	SHRJ1M	TV-SA2157
O	TEXT	C 0755	87-010-555-080	0E	CAP, E 100-10 M 5L MA	SHRJ1M	TV-SA2157
O	TEXT	C 0756	87-010-553-080	0E	CAP, E 47-16 M 5L SRE	SHRJ1M	TV-SA2157
O	TEXT	C 0757	87-010-196-080	0E	C-CAP, S 0.1-25 Z F C2012	SHRJ1M	TV-SA2157
O	TEXT	C 0758	87-010-313-080	0E	C-CAP, S 18P-50 J CH GRM	SHRJ1M	TV-SA2157
O	TEXT	C 0759	87-010-313-080	0E	C-CAP, S 18P-50 J CH GRM	SHRJ1M	TV-SA2157
O	TEXT	C 0760	87-010-495-080	0E	CAP, E 2.2-50 M 5L SRE	SHRJ1M	TV-SA2157
O	TEXT	CN 0750	87-A60-722-010	1A	CONN, 8P JL-R	SHRJ1M	TV-SA2157
O	TEXT	CN 0751	87-A60-719-010	1A	CONN, 5P JL-R	SHRJ1M	TV-SA2157
S	TEXT	IC 0751	87-A21-287-010	2C	IC, SAA5261PS/222	SHRJ1M	TV-SA2157
S	TEXT	IC 0752	87-A21-062-010	1B	IC, M24C02-BN6	SHRJ1M	TV-SA2157
O	TEXT	L 0751	87-005-481-080	0E	COIL, 47UH J FLR50	SHRJ1M	TV-SA2157
X	TEXT	R 0751	88-118-472-080	0E	C-RES, S 4.7K-1/10W J	SHRJ1M	TV-SA2157
X	TEXT	R 0752	88-118-472-080	0E	C-RES, S 4.7K-1/10W J	SHRJ1M	TV-SA2157
X	TEXT	R 0753	88-118-472-080	0E	C-RES, S 4.7K-1/10W J	SHRJ1M	TV-SA2157
X	TEXT	R 0754	88-118-472-080	0E	C-RES, S 4.7K-1/10W J	SHRJ1M	TV-SA2157
X	TEXT	R 0755	88-118-472-080	0E	C-RES, S 4.7K-1/10W J	SHRJ1M	TV-SA2157
X	TEXT	R 0756	88-118-472-080	0E	C-RES, S 4.7K-1/10W J	SHRJ1M	TV-SA2157
X	TEXT	R 0757	88-118-472-080	0E	C-RES, S 4.7K-1/10W J	SHRJ1M	TV-SA2157
X	TEXT	R 0758	88-118-472-080	0E	C-RES, S 4.7K-1/10W J	SHRJ1M	TV-SA2157
X	TEXT	R 0760	88-118-472-080	0E	C-RES, S 4.7K-1/10W J	SHRJ1M	TV-SA2157
X	TEXT	R 0761	88-118-472-080	0E	C-RES, S 4.7K-1/10W J	SHRJ1M	TV-SA2157
X	TEXT	R 0762	88-118-472-080	0E	C-RES, S 4.7K-1/10W J	SHRJ1M	TV-SA2157
X	TEXT	R 0763	88-118-472-080	0E	C-RES, S 4.7K-1/10W J	SHRJ1M	TV-SA2157
X	TEXT	R 0764	88-118-472-080	0E	C-RES, S 4.7K-1/10W J	SHRJ1M	TV-SA2157
X	TEXT	R 0770	88-118-152-080	0E	C-RES, S 1.5K-1/10W J	SHRJ1M	TV-SA2157
X	TEXT	R 0775	88-118-472-080	0E	C-RES, S 4.7K-1/10W J	SHRJ1M	TV-SA2157
X	TEXT	R 0776	88-118-472-080	0E	C-RES, S 4.7K-1/10W J	SHRJ1M	TV-SA2157
X	TEXT	R 0777	88-118-152-080	0E	C-RES, S 1.5K-1/10W J	SHRJ1M	TV-SA2157
X	TEXT	R 0779	88-118-273-080	0E	C-RES, S 27K-1/10W J	SHRJ1M	TV-SA2157
X	TEXT	R 0780	88-118-472-080	0E	C-RES, S 4.7K-1/10W J	SHRJ1M	TV-SA2157
X	TEXT	R 0781	88-118-472-080	0E	C-RES, S 4.7K-1/10W J	SHRJ1M	TV-SA2157
X	TEXT	R 0782	88-118-472-080	0E	C-RES, S 4.7K-1/10W J	SHRJ1M	TV-SA2157
X	TEXT	R 0783	88-118-102-080	0E	C-RES, S 1K-1/10W J	SHRJ1M	TV-SA2157
X	TEXT	R 0784	88-118-102-080	0E	C-RES, S 1K-1/10W J	SHRJ1M	TV-SA2157
X	TEXT	R 0785	88-118-000-080	0E	C-JUMPER, S	SHRJ1M	TV-SA2157
X	TEXT	R 0788	88-118-472-080	0E	C-RES, S 4.7K-1/10W J	SHRJ1M	TV-SA2157
X	TEXT	R 0790	88-118-472-080	0E	C-RES, S 4.7K-1/10W J	SHRJ1M	TV-SA2157
X	TEXT	R 0792	88-118-472-080	0E	C-RES, S 4.7K-1/10W J	SHRJ1M	TV-SA2157
X	TEXT	R 0793	88-118-221-080	0E	C-RES, S 220-1/10W J	SHRJ1M	TV-SA2157
X	TEXT	R 0794	88-118-221-080	0E	C-RES, S 220-1/10W J	SHRJ1M	TV-SA2157
X	TEXT	R 0796	88-118-472-080	0E	C-RES, S 4.7K-1/10W J	SHRJ1M	TV-SA2157
X	TEXT	SH 0751	8Z-JB4-203-010	0E	SHLD-CASE, TOP	SHRJ1M	TV-SA2157
X	TEXT	SH 0752	8Z-JB4-204-010	0E	SHLD-CASE, BOTTOM	SHRJ1M	TV-SA2157
O	TEXT	X 0751	83-JU3-667-080	1C	VIB, XTAL 12.0MHZ	SHRJ1M	TV-SA2157
O	TUNER	C 0101	87-010-404-080	0E	CAP, E 4.7-50 M 11L SME	SHRJ1M	TV-SA2157
O	TUNER	C 0102	87-018-134-080	0E	CAP, TC U 0.01-16 N Y UP050	SHRJ1M	TV-SA2157
O	TUNER	C 0103	87-010-384-080	0E	CAP, E 100-25 M 11L SME	SHRJ1M	TV-SA2157
O	TUNER	C 0104	87-018-134-080	0E	CAP, TC U 0.01-16 N Y UP050	SHRJ1M	TV-SA2157
O	TUNER	C 0105	87-010-263-080	0E	CAP, E 100-10 M 11L SME	SHRJ1M	TV-SA2157
O	TUNER	C 0106	87-A10-207-080	0E	CAP, TC U 0.01-50 K B UP050	SHRJ1M	TV-SA2157
O	TUNER	C 0107	87-018-134-080	0E	CAP, TC U 0.01-16 N Y UP050	SHRJ1M	TV-SA2157
O	TUNER	C 0108	87-018-132-080	0E	CAP, TC U 2200P-16 N X UP050	SHRJ1M	TV-SA2157
O	TUNER	C 0110	87-018-132-080	0E	CAP, TC U 2200P-16 N X UP050	SHRJ1M	TV-SA2157
O	TUNER	C 0111	87-018-132-080	0E	CAP, TC U 2200P-16 N X UP050	SHRJ1M	TV-SA2157
O	TUNER	C 0113	87-010-260-080	0E	CAP, E 47-25 M 11L SME	SHRJ1M	TV-SA2157
O	TUNER	C 0116	87-010-260-080	0E	CAP, E 47-25 M 11L SME	SHRJ1M	TV-SA2157
O	TUNER	C 0117	87-018-134-080	0E	CAP, TC U 0.01-16 N Y UP050	SHRJ1M	TV-SA2157
X	TUNER	C 0118	88-700-910-810	0E	CAP, M 0.1-50 J AMZV	SHRJ1M	TV-SA2157
O	TUNER	C 0121	87-018-134-080	0E	CAP, TC U 0.01-16 N Y UP050	SHRJ1M	TV-SA2157

PARTS LIST

! = Δ SAFTY PARTS
 C = Components marked

All components used on this model at the production line are shown in this service manual.

However, please note that not all components will be available as spare parts for after-sales service.

Components marked S and O are designated as spare parts for service and will be stocked at the spare parts centers.

Components marked X and R are not designated as spare parts for after sales service, and will not be stocked at the spare parts centers.

K NO. = Only use Japanese.

! C	UNIT NAME	REF NO.	PARTS CODE	K NO.	DESCRIPTION	SUFFIX	MODEL NAME	
O	TUNER	C	0122	87-010-260-080	0E	CAP,E 47-25 M 11L SME	SHRJ1M	TV-SA2157
O	TUNER	C	0123	87-018-134-080	0E	CAP,TC U 0.01-16 N Y UP050	SHRJ1M	TV-SA2157
O	TUNER	C	0124	87-010-401-080	0E	CAP,E 1-50 M 11L SME	SHRJ1M	TV-SA2157
O	TUNER	C	0125	87-018-134-080	0E	CAP,TC U 0.01-16 N Y UP050	SHRJ1M	TV-SA2157
O	TUNER	C	0126	87-010-544-080	0E	CAP,E 0.1-50 M 11L SME	SHRJ1M	TV-SA2157
O	TUNER	C	0127	87-018-119-080	0E	CAP,TC U 100P-50 K B UP050	SHRJ1M	TV-SA2157
O	TUNER	C	0128	87-018-134-080	0E	CAP,TC U 0.01-16 N Y UP050	SHRJ1M	TV-SA2157
O	TUNER	C	0129	87-018-134-080	0E	CAP,TC U 0.01-16 N Y UP050	SHRJ1M	TV-SA2157
O	TUNER	C	0130	87-010-405-080	0E	CAP,E 10-50 M 11L SME	SHRJ1M	TV-SA2157
O	TUNER	C	0131	87-010-405-080	0E	CAP,E 10-50 M 11L SME	SHRJ1M	TV-SA2157
O	TUNER	C	0132	87-010-260-080	0E	CAP,E 47-25 M 11L SME	SHRJ1M	TV-SA2157
O	TUNER	C	0137	87-010-384-080	0E	CAP,E 100-25 M 11L SME	SHRJ1M	TV-SA2157
O	TUNER	CF	0201	87-A90-224-080	0E	FLTR, TPS6.0MB	SHRJ1M	TV-SA2157
O	TUNER	CF	0202	87-008-578-080	1A	FLTR, TPS6.5MB2	SHRJ1M	TV-SA2157
O	TUNER	CF	0203	84-LB3-626-080	1A	FLTR, TPS4.5MB2	SHRJ1M	TV-SA2157
O	TUNER	CF	0204	87-008-577-080	1A	FLTR, TPS5.5MB2	SHRJ1M	TV-SA2157
O	TUNER	CF	0205	87-008-574-080	1A	FLTR, CER SFSH4.5MCB	SHRJ1M	TV-SA2157
O	TUNER	CN	0101	87-A60-734-010	1A	CONN, 8P JL-BT	SHRJ1M	TV-SA2157
O	TUNER	CN	0102	87-A60-732-010	1A	CONN, 6P JL-BT	SHRJ1M	TV-SA2157
S	TUNER	D	0101	87-070-444-080	0E	ZENER, HZS33-1TA	SHRJ1M	TV-SA2157
S	TUNER	D	0102	87-070-345-080	0E	DIODE, 1N4148	SHRJ1M	TV-SA2157
S	TUNER	D	0103	87-070-345-080	0E	DIODE, 1N4148	SHRJ1M	TV-SA2157
S	TUNER	IC	0101	87-027-666-010	1B	IC, TC4052BP	SHRJ1M	TV-SA2157
O	TUNER	L	0101	87-005-444-080	0E	COIL, 100UH K FLR50	SHRJ1M	TV-SA2157
O	TUNER	L	0102	87-003-152-080	0E	COIL, 100UH J LAL02	SHRJ1M	TV-SA2157
O	TUNER	L	0104	87-003-106-080	0E	COIL, 0.33UH K LAL02	SHRJ1M	TV-SA2157
O	TUNER	L	0108	87-003-146-080	0E	COIL, 15UH J LAL02	SHRJ1M	TV-SA2157
O	TUNER	L	0109	87-003-282-080	0E	COIL, 12UH J LAL02	SHRJ1M	TV-SA2157
O	TUNER	L	0110	87-003-146-080	0E	COIL, 15UH J LAL02	SHRJ1M	TV-SA2157
O	TUNER	L	0111	87-003-282-080	0E	COIL, 12UH J LAL02	SHRJ1M	TV-SA2157
O	TUNER	L	0112	87-003-149-080	0E	COIL, 47UH J LAL02	SHRJ1M	TV-SA2157
O	TUNER	L	0113	87-003-098-080	0E	COIL, 2.2UH K LAL02	SHRJ1M	TV-SA2157
O	TUNER	L	0114	87-A50-530-010	1B	COIL, VCO38.0MHZ	SHRJ1M	TV-SA2157
S	TUNER	Q	0101	89-337-794-580	1B	TR, 2SC3779(D/E)	SHRJ1M	TV-SA2157
S	TUNER	Q	0102	87-A30-090-080	0E	FET, 2SK2541	SHRJ1M	TV-SA2157
S	TUNER	Q	0103	87-A30-090-080	0E	FET, 2SK2541	SHRJ1M	TV-SA2157
S	TUNER	Q	0105	87-A30-066-080	0E	TR, 2SA1175FE	SHRJ1M	TV-SA2157
S	TUNER	Q	0107	87-A30-065-080	0E	TR, 2SC2785FE	SHRJ1M	TV-SA2157
S	TUNER	Q	0108	87-A30-065-080	0E	TR, 2SC2785FE	SHRJ1M	TV-SA2157
O	TUNER	R	0101	87-A00-164-090	0E	RES, M/F 12K-2W J RSF(S)	SHRJ1M	TV-SA2157
X	TUNER	R	0102	88-100-000-010	0E	PLATING-JW, 0.58 SN95	SHRJ1M	TV-SA2157
X	TUNER	R	0104	88-121-101-080	0E	RES, 100-1/8W J	SHRJ1M	TV-SA2157
X	TUNER	R	0105	88-121-101-080	0E	RES, 100-1/8W J	SHRJ1M	TV-SA2157
X	TUNER	R	0107	88-100-000-010	0E	PLATING-JW, 0.58 SN95	SHRJ1M	TV-SA2157
X	TUNER	R	0108	88-121-392-080	0E	RES, 3.9K-1/8W J	SHRJ1M	TV-SA2157
X	TUNER	R	0109	88-121-821-080	0E	RES, 820-1/8W J	SHRJ1M	TV-SA2157
X	TUNER	R	0110	88-121-471-080	0E	RES, 470-1/8W J	SHRJ1M	TV-SA2157
X	TUNER	R	0111	88-121-220-080	0E	RES, 22-1/8W J	SHRJ1M	TV-SA2157
X	TUNER	R	0112	88-121-332-080	0E	RES, 3.3K-1/8W J	SHRJ1M	TV-SA2157
X	TUNER	R	0113	88-121-102-080	0E	RES, 1K-1/8W J	SHRJ1M	TV-SA2157
X	TUNER	R	0114	88-121-103-080	0E	RES, 10K-1/8W J	SHRJ1M	TV-SA2157
X	TUNER	R	0115	88-121-102-080	0E	RES, 1K-1/8W J	SHRJ1M	TV-SA2157
X	TUNER	R	0121	88-121-471-080	0E	RES, 470-1/8W J	SHRJ1M	TV-SA2157
X	TUNER	R	0122	88-121-102-080	0E	RES, 1K-1/8W J	SHRJ1M	TV-SA2157
X	TUNER	R	0124	88-121-221-080	0E	RES, 220-1/8W J	SHRJ1M	TV-SA2157
X	TUNER	R	0125	88-121-221-080	0E	RES, 220-1/8W J	SHRJ1M	TV-SA2157
X	TUNER	R	0126	88-121-271-080	0E	RES, 270-1/8W J	SHRJ1M	TV-SA2157
X	TUNER	R	0127	88-121-181-080	0E	RES, 180-1/8W J	SHRJ1M	TV-SA2157
X	TUNER	R	0128	88-121-221-080	0E	RES, 220-1/8W J	SHRJ1M	TV-SA2157
X	TUNER	R	0129	88-121-122-080	0E	RES, 1.2K-1/8W J	SHRJ1M	TV-SA2157
X	TUNER	R	0137	88-121-223-080	0E	RES, 22K-1/8W J	SHRJ1M	TV-SA2157
X	TUNER	R	0138	88-121-563-080	0E	RES, 56K-1/8W J	SHRJ1M	TV-SA2157
X	TUNER	R	0139	88-100-000-010	0E	PLATING-JW, 0.58 SN95	SHRJ1M	TV-SA2157
X	TUNER	R	0140	88-121-102-080	0E	RES, 1K-1/8W J	SHRJ1M	TV-SA2157
X	TUNER	R	0141	88-121-104-080	0E	RES, 100K-1/8W J	SHRJ1M	TV-SA2157
X	TUNER	R	0142	88-121-104-080	0E	RES, 100K-1/8W J	SHRJ1M	TV-SA2157
X	TUNER	R	0143	88-121-101-080	0E	RES, 100-1/8W J	SHRJ1M	TV-SA2157
X	TUNER	R	0144	88-121-222-080	0E	RES, 2.2K-1/8W J	SHRJ1M	TV-SA2157
X	TUNER	R	0145	88-121-820-080	0E	RES, 82-1/8W J	SHRJ1M	TV-SA2157
X	TUNER	R	0146	88-121-102-080	0E	RES, 1K-1/8W J	SHRJ1M	TV-SA2157

PARTS LIST

! = Δ SAFTY PARTS
 C = Components marked

All components used on this model at the production line are shown in this service manual.

However, please note that not all components will be available as spare parts for after-sales service.

Components marked S and O are designated as spare parts for service and will be stocked at the spare parts centers.

Components marked X and R are not designated as spare parts for after sales service, and will not be stocked at the spare parts centers.

K NO. = Only use japanese.

! C	UNIT NAME	REF NO.	PARTS CODE	K NO.	DESCRIPTION	SUFFIX	MODEL NAME
X	TUNER	R 0148	88-100-000-010	0E	PLATING-JW, 0.58 SN95	SHRJ1M	TV-SA2157
X	TUNER	R 0149	88-121-101-080	0E	RES,100-1/8W J	SHRJ1M	TV-SA2157
X	TUNER	R 0150	88-121-473-080	0E	RES,47K-1/8W J	SHRJ1M	TV-SA2157
X	TUNER	R 0151	88-121-473-080	0E	RES,47K-1/8W J	SHRJ1M	TV-SA2157
O	TUNER	SWF0201	87-A91-515-010	1C	FLTR,SAW TSB5388P	SHRJ1M	TV-SA2157
O	TUNER	SWF0202	87-A91-556-010	1E	FLTR,SAW TSF6364U	SHRJ1M	TV-SA2157
O	TUNER	TU 0101	87-A91-495-010	2B	TU UNIT, ENV59D58G3-38.0MHZ	SHRJ1M	TV-SA2157
X	TUNER	W 0101	89-994-083-410	0E	WIRE,U24X4-8-5F	SHRJ1M	TV-SA2157
X	TUNER	W 0105	89-995-103-410	0E	WIRE,U24X5-10-5 F	SHRJ1M	TV-SA2157
X	TV		87-MA8-210-010	0E	CUSH-R, 4-7.5-2 W/ADH	SHRJ1M	TV-SA2157
O	TV	C 0301	87-010-545-080	0E	CAP,E 0.22-50 M 11L SME	SHRJ1M	TV-SA2157
O	TV	C 0302	87-018-132-080	0E	CAP,TC U 2200P-16 N X UP050	SHRJ1M	TV-SA2157
O	TV	C 0303	87-018-148-080	0E	CAP,TC U 12P-50 J CH UP050	SHRJ1M	TV-SA2157
X	TV	C 0304	88-700-910-810	0E	CAP,M 0.1-50 J AMZV	SHRJ1M	TV-SA2157
X	TV	C 0305	88-700-910-810	0E	CAP,M 0.1-50 J AMZV	SHRJ1M	TV-SA2157
X	TV	C 0306	88-700-910-810	0E	CAP,M 0.1-50 J AMZV	SHRJ1M	TV-SA2157
O	TV	C 0307	87-018-134-080	0E	CAP,TC U 0.01-16 N Y UP050	SHRJ1M	TV-SA2157
O	TV	C 0308	87-010-385-080	0E	CAP,E 220-25 M SME	SHRJ1M	TV-SA2157
O	TV	C 0309	87-018-147-080	0E	CAP,TC U 10P-50 J CH UP050	SHRJ1M	TV-SA2157
O	TV	C 0310	87-018-147-080	0E	CAP,TC U 10P-50 J CH UP050	SHRJ1M	TV-SA2157
O	TV	C 0311	87-018-147-080	0E	CAP,TC U 10P-50 J CH UP050	SHRJ1M	TV-SA2157
O	TV	C 0312	87-010-404-080	0E	CAP,E 4.7-50 M 11L SME	SHRJ1M	TV-SA2157
O	TV	C 0313	87-018-119-080	0E	CAP,TC U 100P-50 K B UP050	SHRJ1M	TV-SA2157
O	TV	C 0314	87-010-401-080	0E	CAP,E 1-50 M 11L SME	SHRJ1M	TV-SA2157
O	TV	C 0315	87-018-196-080	0E	CAP,TC U 1500P-16 N X UP050	SHRJ1M	TV-SA2157
O	TV	C 0316	87-010-400-080	0E	CAP,E 0.47-50 M 11L SME	SHRJ1M	TV-SA2157
O	TV	C 0317	87-015-997-010	1A	CAP,E 2200-16 M SME	SHRJ1M	TV-SA2157
O	TV	C 0318	87-018-134-080	0E	CAP,TC U 0.01-16 N Y UP050	SHRJ1M	TV-SA2157
O	TV	C 0319	87-010-400-080	0E	CAP,E 0.47-50 M 11L SME	SHRJ1M	TV-SA2157
O	TV	C 0320	87-010-384-080	0E	CAP,E 100-25 M 11L SME	SHRJ1M	TV-SA2157
O	TV	C 0321	87-018-134-080	0E	CAP,TC U 0.01-16 N Y UP050	SHRJ1M	TV-SA2157
O	TV	C 0323	87-018-209-080	0E	CAP,TC U 0.1-50 Z F UP050	SHRJ1M	TV-SA2157
O	TV	C 0324	87-018-209-080	0E	CAP,TC U 0.1-50 Z F UP050	SHRJ1M	TV-SA2157
X	TV	C 0325	88-710-009-810	1B	CAP,M 1-50 J TFL	SHRJ1M	TV-SA2157
X	TV	C 0326	88-700-720-810	0E	CAP,M 4700P-50 J AMZV	SHRJ1M	TV-SA2157
X	TV	C 0327	88-707-919-810	0E	CAP,M 0.1-50 J TF ECQ	SHRJ1M	TV-SA2157
O	TV	C 0328	87-010-400-080	0E	CAP,E 0.47-50 M 11L SME	SHRJ1M	TV-SA2157
X	TV	C 0329	88-700-910-810	0E	CAP,M 0.1-50 J AMZV	SHRJ1M	TV-SA2157
O	TV	C 0330	87-018-134-080	0E	CAP,TC U 0.01-16 N Y UP050	SHRJ1M	TV-SA2157
X	TV	C 0332	88-700-840-810	0E	CAP,M 0.033-50 J AMZV	SHRJ1M	TV-SA2157
O	TV	C 0333	87-018-134-080	0E	CAP,TC U 0.01-16 N Y UP050	SHRJ1M	TV-SA2157
O	TV	C 0334	87-010-263-080	0E	CAP,E 100-10 M 11L SME	SHRJ1M	TV-SA2157
O	TV	C 0335	87-010-401-080	0E	CAP,E 1-50 M 11L SME	SHRJ1M	TV-SA2157
O	TV	C 0336	87-018-134-080	0E	CAP,TC U 0.01-16 N Y UP050	SHRJ1M	TV-SA2157
O	TV	C 0337	87-010-401-080	0E	CAP,E 1-50 M 11L SME	SHRJ1M	TV-SA2157
O	TV	C 0338	87-010-401-080	0E	CAP,E 1-50 M 11L SME	SHRJ1M	TV-SA2157
O	TV	C 0339	87-010-263-080	0E	CAP,E 100-10 M 11L SME	SHRJ1M	TV-SA2157
O	TV	C 0340	87-018-134-080	0E	CAP,TC U 0.01-16 N Y UP050	SHRJ1M	TV-SA2157
O	TV	C 0341	87-018-134-080	0E	CAP,TC U 0.01-16 N Y UP050	SHRJ1M	TV-SA2157
O	TV	C 0344	87-010-263-080	0E	CAP,E 100-10 M 11L SME	SHRJ1M	TV-SA2157
X	TV	C 0345	88-700-830-810	0E	CAP,M 0.022-50 J AMZV	SHRJ1M	TV-SA2157
X	TV	CLP0301	87-A60-884-010	0E	PIN,DIA1 COATING-SHS	SHRJ1M	TV-SA2157
O	TV	CNA0301	84-LB2-631-010	1B	CONN ASSY,5P TN-4	SHRJ1M	TV-SA2157
S	TV	D 0301	87-070-345-080	0E	DIODE,1N4148	SHRJ1M	TV-SA2157
S	TV	D 0302	87-A40-235-080	0E	ZENER,MTZJ9.1C	SHRJ1M	TV-SA2157
S	TV	D 0303	87-A40-235-080	0E	ZENER,MTZJ9.1C	SHRJ1M	TV-SA2157
S	TV	D 0304	87-070-345-080	0E	DIODE,1N4148	SHRJ1M	TV-SA2157
S	TV	D 0305	87-A40-350-080	0E	ZENER,MTZJ4.7C	SHRJ1M	TV-SA2157
S	TV	D 0308	87-070-345-080	0E	DIODE,1N4148	SHRJ1M	TV-SA2157
S	TV	D 0309	87-070-345-080	0E	DIODE,1N4148	SHRJ1M	TV-SA2157
S	TV	D 0310	87-070-345-080	0E	DIODE,1N4148	SHRJ1M	TV-SA2157
S	TV	D 0311	87-070-345-080	0E	DIODE,1N4148	SHRJ1M	TV-SA2157
S	TV	D 0315	87-070-345-080	0E	DIODE,1N4148	SHRJ1M	TV-SA2157
S	TV	IC 0301	87-A21-723-010	2P	IC,TB1240AN AJE-H	SHRJ1M	TV-SA2157
S	TV	IC 0302	87-A21-166-010	1H	IC,TA1275AZ	SHRJ1M	TV-SA2157
O	TV	L 0301	87-005-444-080	0E	COIL,100UH K FLR50	SHRJ1M	TV-SA2157
O	TV	L 0302	87-005-474-080	0E	COIL,12UH J FLR50	SHRJ1M	TV-SA2157
O	TV	L 0303	87-005-444-080	0E	COIL,100UH K FLR50	SHRJ1M	TV-SA2157
S	TV	Q 0301	89-109-504-080	1A	TR,2SA950Y	SHRJ1M	TV-SA2157
S	TV	Q 0302	87-A30-090-080	0E	FET,2SK2541	SHRJ1M	TV-SA2157

PARTS LIST

- ! =  SAFTY PARTS
 C = Components marked

All components used on this model at the production line are shown in this service manual.

However, please note that not all components will be available as spare parts for after-sales service.

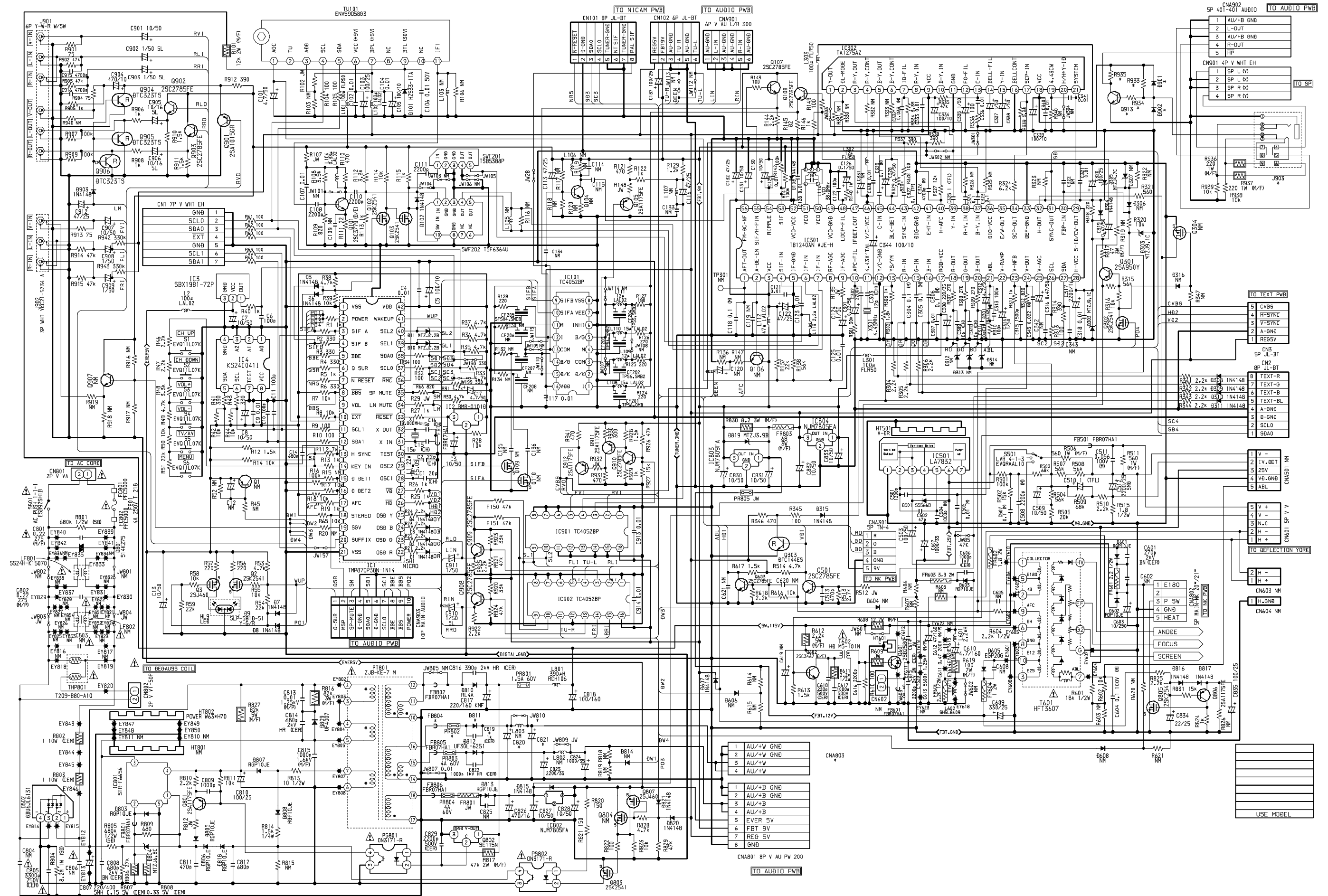
Components marked S and O are designated as spare parts for service and will be stocked at the spare parts centers.

Components marked X and R are not designated as spare parts for after sales service, and will not be stocked at the spare parts centers.

K NO. = Only use japanese.

! C	UNIT NAME	REF NO.	PARTS CODE	K NO.	DESCRIPTION	SUFFIX	MODEL NAME
S	TV	Q 0303	87-026-218-080	0E	TR,DTC144ES	SHRJ1M	TV-SA2157
X	TV	R 0301	88-121-303-080	0E	RES,30K-1/8W J	SHRJ1M	TV-SA2157
X	TV	R 0302	88-121-182-080	0E	RES,1.8K-1/8W J	SHRJ1M	TV-SA2157
X	TV	R 0303	88-121-102-080	0E	RES,1K-1/8W J	SHRJ1M	TV-SA2157
X	TV	R 0304	88-121-222-080	0E	RES,2.2K-1/8W J	SHRJ1M	TV-SA2157
X	TV	R 0305	88-121-222-080	0E	RES,2.2K-1/8W J	SHRJ1M	TV-SA2157
X	TV	R 0306	88-121-222-080	0E	RES,2.2K-1/8W J	SHRJ1M	TV-SA2157
X	TV	R 0307	88-121-271-080	0E	RES,270-1/8W J	SHRJ1M	TV-SA2157
X	TV	R 0308	88-121-271-080	0E	RES,270-1/8W J	SHRJ1M	TV-SA2157
X	TV	R 0309	88-121-271-080	0E	RES,270-1/8W J	SHRJ1M	TV-SA2157
X	TV	R 0310	88-121-104-080	0E	RES,100K-1/8W J	SHRJ1M	TV-SA2157
X	TV	R 0311	88-121-102-080	0E	RES,1K-1/8W J	SHRJ1M	TV-SA2157
X	TV	R 0312	88-121-821-080	0E	RES,820-1/8W J	SHRJ1M	TV-SA2157
X	TV	R 0313	88-121-101-080	0E	RES,100-1/8W J	SHRJ1M	TV-SA2157
X	TV	R 0314	88-121-391-080	0E	RES,390-1/8W J	SHRJ1M	TV-SA2157
X	TV	R 0315	88-121-563-080	0E	RES,56K-1/8W J	SHRJ1M	TV-SA2157
X	TV	R 0316	88-121-103-080	0E	RES,10K-1/8W J	SHRJ1M	TV-SA2157
O	TV	R 0317	87-A00-308-090	0E	RES,M/F 47-3W J RSF(S)	SHRJ1M	TV-SA2157
X	TV	R 0318	88-121-221-080	0E	RES,220-1/8W J	SHRJ1M	TV-SA2157
X	TV	R 0320	88-121-103-080	0E	RES,10K-1/8W J	SHRJ1M	TV-SA2157
X	TV	R 0321	88-121-561-080	0E	RES,560-1/8W J	SHRJ1M	TV-SA2157
X	TV	R 0324	88-121-622-080	0E	RES,6.2K-1/8W J	SHRJ1M	TV-SA2157
X	TV	R 0327	88-121-123-080	0E	RES,12K-1/8W J	SHRJ1M	TV-SA2157
X	TV	R 0328	88-121-101-080	0E	RES,100-1/8W J	SHRJ1M	TV-SA2157
X	TV	R 0329	88-121-824-080	0E	RES,820K-1/8W J	SHRJ1M	TV-SA2157
X	TV	R 0334	88-121-335-080	0E	RES,3.3M-1/8W J	SHRJ1M	TV-SA2157
X	TV	R 0335	88-121-473-080	0E	RES,47K-1/8W J	SHRJ1M	TV-SA2157
X	TV	R 0336	88-121-101-080	0E	RES,100-1/8W J	SHRJ1M	TV-SA2157
X	TV	R 0337	88-121-391-080	0E	RES,390-1/8W J	SHRJ1M	TV-SA2157
X	TV	R 0338	88-121-391-080	0E	RES,390-1/8W J	SHRJ1M	TV-SA2157
X	TV	R 0339	88-121-562-080	0E	RES,5.6K-1/8W J	SHRJ1M	TV-SA2157
X	TV	R 0341	88-121-222-080	0E	RES,2.2K-1/8W J	SHRJ1M	TV-SA2157
X	TV	R 0342	88-121-222-080	0E	RES,2.2K-1/8W J	SHRJ1M	TV-SA2157
X	TV	R 0343	88-121-222-080	0E	RES,2.2K-1/8W J	SHRJ1M	TV-SA2157
X	TV	R 0344	88-121-222-080	0E	RES,2.2K-1/8W J	SHRJ1M	TV-SA2157
X	TV	R 0345	88-121-101-080	0E	RES,100-1/8W J	SHRJ1M	TV-SA2157
X	TV	R 0346	88-121-471-080	0E	RES,470-1/8W J	SHRJ1M	TV-SA2157
O	TV	X 0301	87-A70-054-080	1B	VIB,XTAL 4.43MHZ AQC-1018	SHRJ1M	TV-SA2157

SCHEMATIC DIAGRAM - 1 (MAIN)



- TO TEXT PWB
- 5 CV5S
 - 4 H-SYNC
 - 3 V-SYNC
 - 2 A-GND
 - 1 REG5V

- TO DEFLECTION YOK
- 2 H -
 - 1 H +

- TO INK PWB
- 1 E180
 - 2 P SW
 - 4 GND
 - 5 HEAT

- TO AUDIO PWB
- 1 AU/+B GND
 - 2 AU/+B GND
 - 3 AU/+B
 - 4 AU/+B
 - 5 EVER 5V
 - 6 FBT 5V
 - 7 REG 5V
 - 8 GND

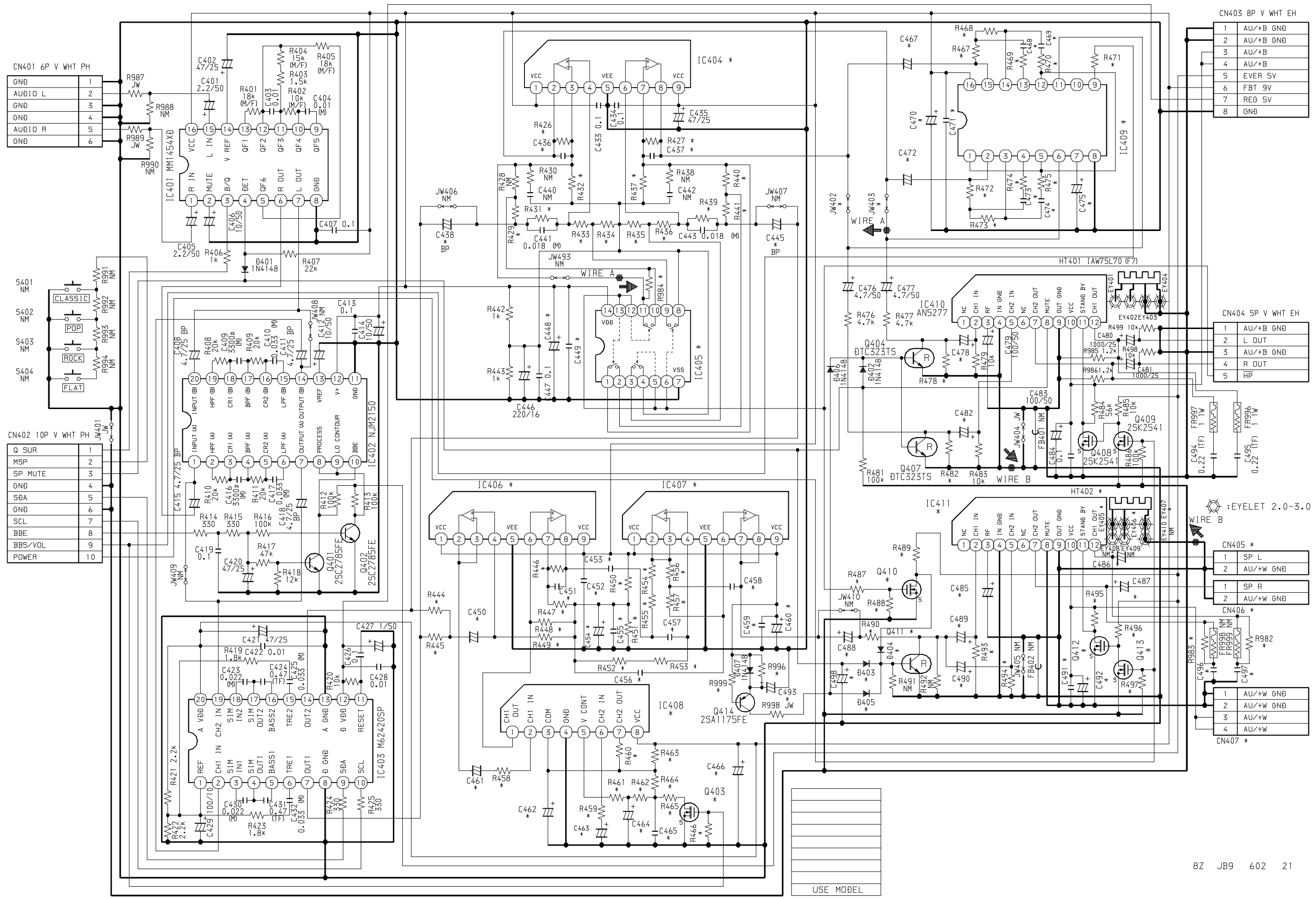
- TO AUDIO PWB
- 1 AU/+B GND
 - 2 L-OUT
 - 3 AU/+B GND
 - 4 R-OUT
 - 5 HP

- TO AC CORB
- 1 V -
 - 2 TV DET
 - 3 25V
 - 4 VB.GND
 - 5 ABL

- TO SP
- 1 SP L 0V
 - 2 SP L 0V
 - 3 SP R 0V
 - 4 SP R 0V

USE MODEL

SCHEMATIC DIAGRAM-2 (AUDIO)



CN401 6P V WHT PH

GND	1
AUDIO L	2
GND	3
GND	4
AUDIO R	5
GND	6

S401 NM

S402 NM

S403 NM

S404 NM

CLASSIC	1
POP	2
ROCK	3
FLAT	4

CN402 10P V WHT PH

Q SUR	1
MSP	2
SP MUTE	3
GND	4
SBA	5
GND	6
SCL	7
BBE	8
BBS/VOL	9
POWER	10

CN403 8P V WHT EH

1	AU/+B GND
2	AU/+B GND
3	AU/+B
4	AU/+B
5	EVER 5V
6	FBT 9V
7	REG 5V
8	GND

CN404 5P V WHT EH

1	AU/+B GND
2	L OUT
3	AU/+B GND
4	R OUT
5	HP

CN405 *

1	SP L
2	AU/+W GND

CN406 *

1	SP R
2	AU/+W GND

CN407 *

1	AU/+W GND
2	AU/+W GND
3	AU/+W
4	AU/+W

USE MODEL

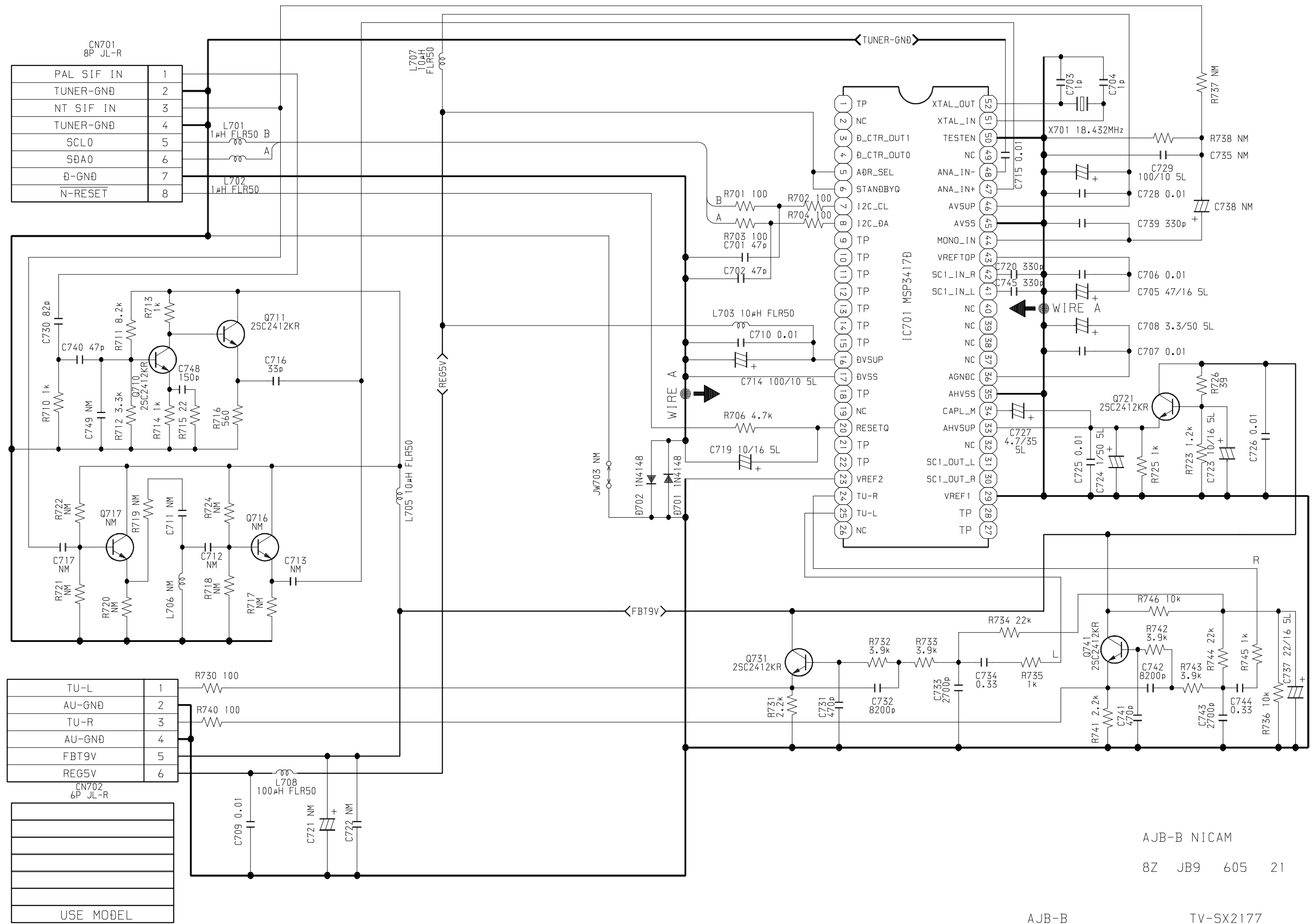
SCHEMATIC DIAGRAM – 3 (AUDIO TABLE)

	(1) A JB-B	(2) A JB-C
C436	NM	100p
C437	NM	100p
C438	0.018 (M)	4.7/25 BP
C445	0.018 (M)	4.7/25 BP
C448	47/25	NM
C449	0.1	NM
C450	4.7/25 BP	NM
C451	0.01	NM
C452	0.1	NM
C453	0.33 (TF)	NM
C454	220/16	NM
C455	0.1	NM
C456	0.068 (M)	NM
C457	0.33 (TF)	NM
C458	0.12 (M)	NM
C459	0.1	NM
C460	47/25	NM
C461	4.7/25 BP	NM
C462	22/25	NM
C463	2.2/50	NM
C464	1/50	NM
C465	0.1	NM
C466	47/25	NM
C467	NM	4.7/25 BP
C468	NM	0.047 (M)
C469	NM	6800p (M)
C470	NM	100/16
C471	NM	0.1
C472	NM	4.7/25 BP
C473	NM	0.047 (M)
C474	NM	6800p (M)
C475	NM	22/16
C478	1/50	10/50
C482	1/50	10/50
C485	100/50	NM
C486	1000/25	NM
C487	1000/25	NM
C488	10/50	NM
C489	10/50	NM
C490	10/50	NM
C491	0.1	NM
C492	1000/50	NM
C493	47/25	100/16
C496	Jw	NM
C497	Jw	NM
C498	47/25	2.2/50
CN405	2P V WHT EH	NM
CN406	2P V WHT EH	NM
CN407	4P V WHT EH	NM

	(1) A JB-B	(2) A JB-C
D403	1N4148	NM
D404	1N4148	NM
D405	1N4148	NM
EY405		NM
EY406		NM
EY407		NM
HT402	1AW75L70 (F7)	NM
IC404	NM	LA6458SLL
IC405	TC4066BP	NM
IC406	LA6458SLL	NM
IC407	LA6458SLL	NM
IC408	M5222L	NM
IC409	NM	MM1124B
IC411	AN5277	NM
JW402	Jw	NM
JW403	NM	NM
Q403	2SK2541	NM
Q410	2SK2541	NM
Q411	DTC323TS	NM
Q412	2SK2541	NM
Q413	2SK2541	NM
R426	NM	10k
R427	Jw	10k
R429	3.9k	NM
R431	NM	3.9k
R432	NM	3.3k
R433	27k	8.2k
R434	27k	Jw
R435	27k	Jw
R436	27k	8.2k
R437	NM	3.3k
R439	NM	3.9k
R440	39k	NM
R441	3.9k	NM
R444	22k	NM
R445	22k	NM
R446	39k	NM
R447	10k	NM
R448	33k	NM
R449	100k	NM
R450	1k	NM
R451	1k	NM
R452	15k	NM
R453	8.2k	NM
R454	1k	NM
R455	1k	NM
R456	6.8k	NM
R457	6.8k	NM
R458	15k	NM

	(1) A JB-B	(2) A JB-C
R459	22k	NM
R460	47k	NM
R461	1k	NM
R462	1k	NM
R463	NM	NM
R464	2.2k	NM
R465	27k	NM
R466	100k	NM
R467	NM	51k
R468	NM	51k
R469	NM	10k
R470	NM	10k
R471	NM	10k
R472	NM	51k
R473	NM	51k
R474	NM	10k
R475	NM	10k
R478	8.2k	680
R482	8.2k	680
R487	Jw	NM
R488	100k	NM
R489	1k	NM
R490	4.7k	NM
R493	10k	NM
R494	10k	NM
R495	56k	NM
R496	100k	NM
R497	100k	NM
R982	1.2k	NM
R983	1.2k	NM
R984	39k	NM
R996	NM	2.2k
R999	470	1k

SCHEMATIC DIAGRAM - 4 (NICAM)



CN701
8P JL-R

PAL SIF IN	1
TUNER-GND	2
NT SIF IN	3
TUNER-GND	4
SCL0	5
SDA0	6
Ø-GND	7
N-RESET	8

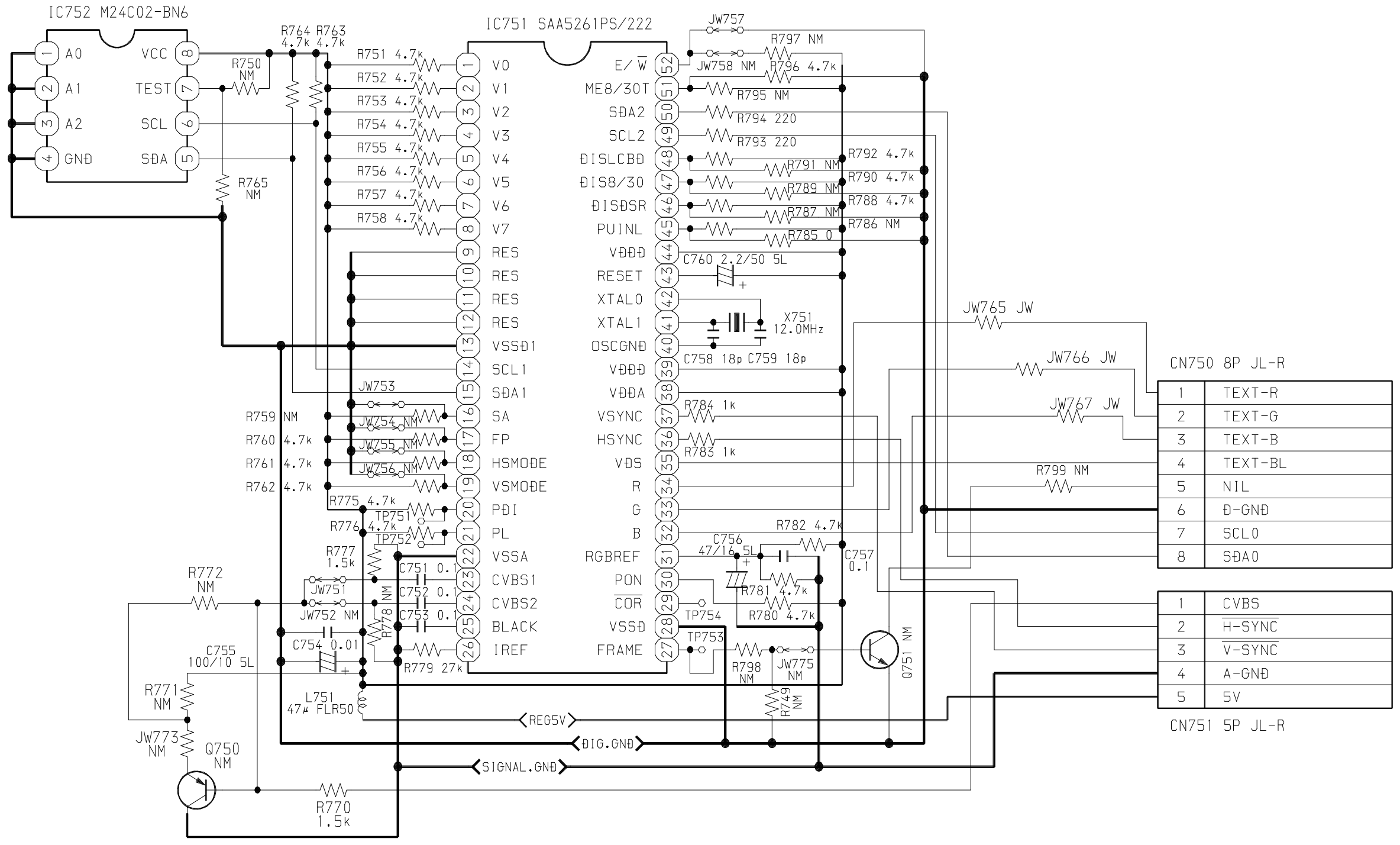
TU-L	1
AU-GND	2
TU-R	3
AU-GND	4
FBT9V	5
REG5V	6

CN702
6P JL-R

USE MODEL

AJB-B NICAM
8Z JB9 605 21

SCHEMATIC DIAGRAM-5 (TEXT)



1	TEXT-R
2	TEXT-G
3	TEXT-B
4	TEXT-BL
5	NIL
6	Ø-GND
7	SCL0
8	SDA0

1	CVBS
2	H-SYNC
3	V-SYNC
4	A-GND
5	5V

AJB-B TEXT
8A JEG 606 01

アイワ株式会社 〒110-8710 東京都台東区池之端1-2-11 ☎03(3827)3111 (代表)
AIWA CO.,LTD. 2-11, IKENOHATA 1-CHOME, TAITO-KU, TOKYO 110, JAPAN TEL:03 (3827) 3111